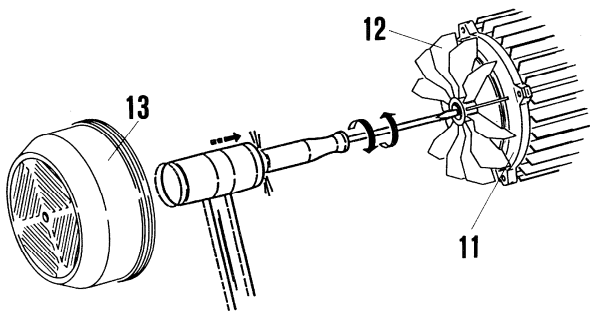
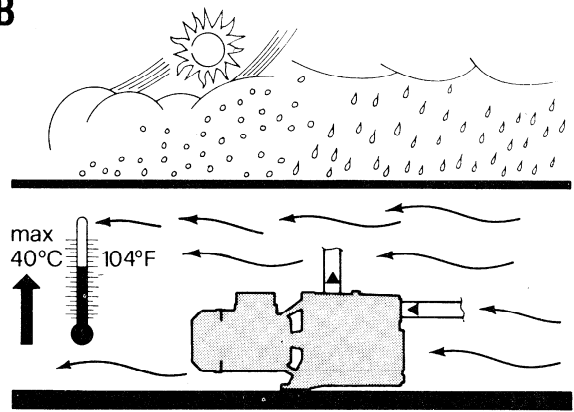
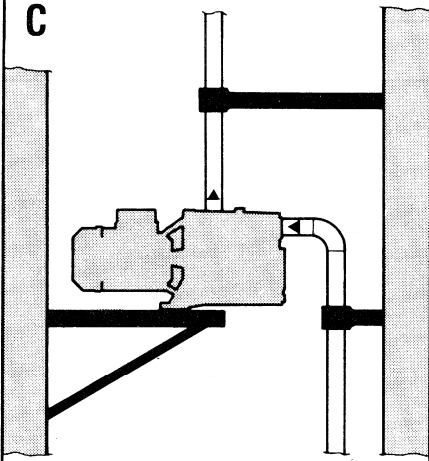
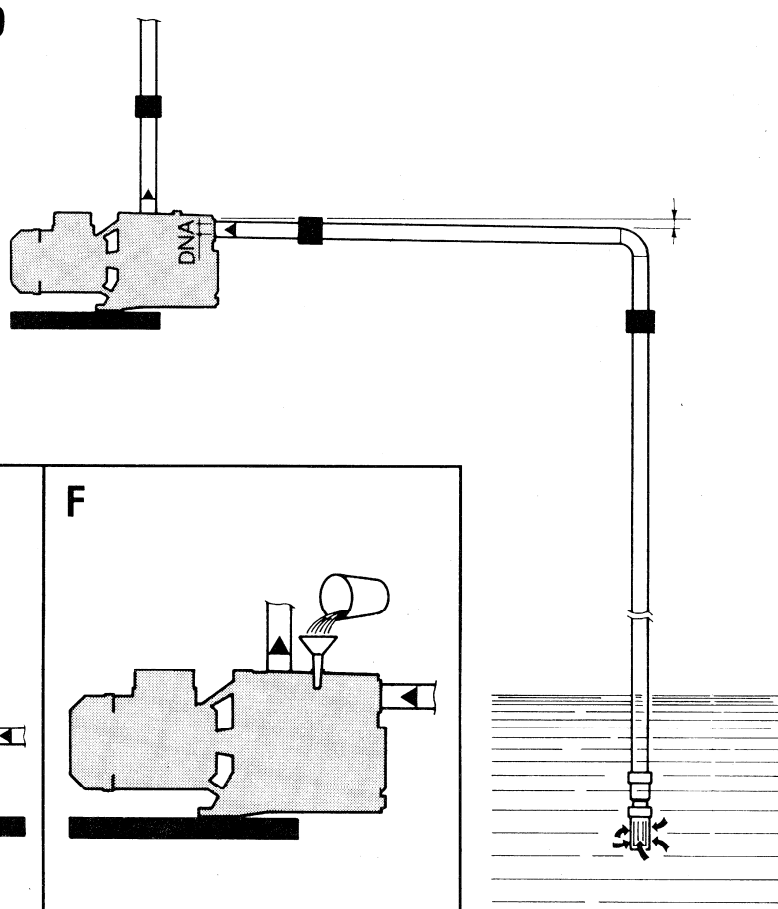
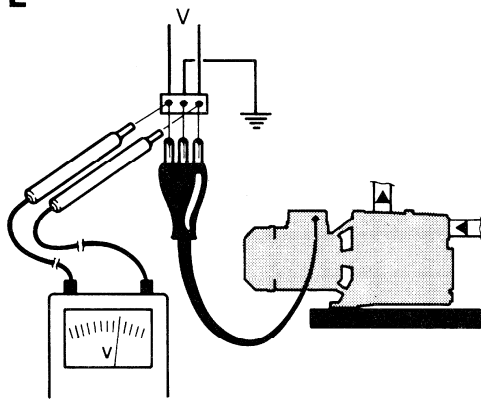
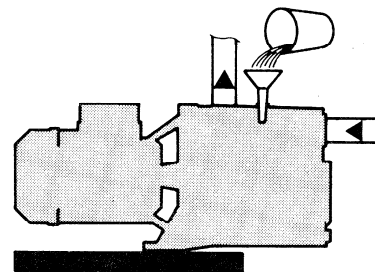
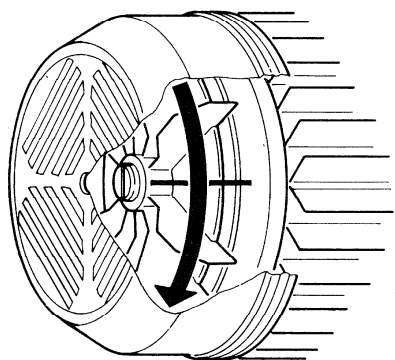
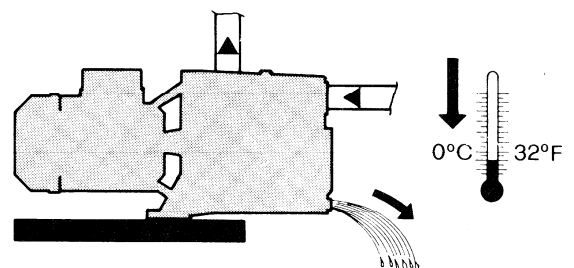

ISTRUZIONI PER L'INSTALLAZIONE E LA MANUTENZIONE
INSTRUCTIONS DE MISE EN SERVICE ET D'ENTRETIEN
INSTRUCTIONS FOR INSTALLATION AND MAINTENANCE
INSTALLATIONSANWEISUNG UND WARTUNG
INSTRUCTIES VOOR INGEBRUIKNAME EN ONDERHOUD
INSTRUCCIONES PARA LA INSTALACION Y EL MANTENIMIENTO
INSTALLATIONS - OCH UNDERHÅLLSANVISNING
KULLANIM VE BAKIM TALİMATLARI
ИНСТРУКЦИИ ПО МОНТАЖУ И ТЕХНИЧЕСКОМУ
ОБСЛУЖИВАНИЮ
MONTAVIMO IR PRIEŽIŪROS INSTRUKCIJA
INSTRUCTIUNI PENTRU INSTALARE SI INTRETINERE
INSTRUÇÕES PARA A INSTALAÇÃO E A MANUTENÇÃO
ΟΔΗΓΙΕΣ ΓΙΑ ΤΗΝ ΕΓΚΑΤΑΣΤΑΣΗ ΚΑΙ ΣΥΝΤΗΡΗΣΗ
安装和维护说明
إرشادات للتركيب والعناية.
NÁVOD NA POUŽITÍ A ÚDRŽBU
ASENNUS- JA HUOLTO-OHJEET

JET 151 – 251 – 200 – 300
DP – AQUADP
EURO – EUROINOX – EUROCOM – EUROCOM SP
GARDEN-INOX
K
KP 38/18 – 60/6 – 60/12
KPA 40/20



A**B****C****D****E****F****G****H**

JET 151 - JET 251
JET 200 - JET 300

DP 81 - DP 100
DP 82 - DP 102
DP 151 - DP 251

AQUADP 82/20 - AQUADP 102/20
AQUADP 151/40 - AQUADP 251/40

EURO 15/30 - EURO 20/50 - EURO 25/30 - EURO 30/30 - EURO 40/30
EURO 25/306 - EURO 30/306 - EURO 40/306

EUROINOX 15/30 - EUROINOX 20/50 - EUROINOX 25/30 - EUROINOX 30/30
EUROINOX 40/30

EUROINOX 25/306 - EUROINOX 30/306 EUROINOX 40/306

EUROCOM 25/30 - EUROCOM 30/30
EUROCOM 25/306 - EUROCOM 30/306

EURO 30/50 - EURO 40/50 - EURO 50/50
EURO 30/506 - EURO 40/506 - EURO 50/506

EUROINOX 30/50 - EUROINOX 40/50 - EUROINOX 50/50
EUROINOX 30/506 - EUROINOX 40/506 - EUROINOX 50/506

EUROCOM 30/50 - EUROCOM 40/50
EUROCOM 30/506 - EUROCOM 40/506

EURO 25/80 - EURO 30/80 - EURO 40/80
EURO 25/806 - EURO 30/806 - EURO 40/806

EUROINOX 25/80 - EUROINOX 30/80 - EUROINOX 40/80
EUROINOX 25/806 - EUROINOX 30/806 - EUROINOX 40/806

EUROCOM 25/80 - EUROCOM 30/80
EUROCOM 25/806 - EUROCOM 30/806

EUROCOM SP 30/50 - EUROCOM SP 40/50
EUROCOM SP 30/506 - EUROCOM SP 40/506

GARDEN-INOX 30/30 - GARDEN-INOX 40/50

K 20/41 - K 30/70 - K 30/100 - K 36/100
K 12/200 - K 14/400
K 35/40 - K 45/50 - K 55/50
KE 35/40 - KE 45/50 - KE - 55/50
K 35/100 - K 40/100

KP 38/18 - KP 60/6 - KP 60/12 - KPA 40/20

EURO – EUROINOX – EUROCOM – EUROCOM SP
GARDEN-INOX

(IT) DICHIARAZIONE DI CONFORMITÀ CE

Noi, **DAB Pumps S.p.A. - Via M.Polo, 14 – Mestrino (PD) – Italy**, dichiariamo sotto la nostra esclusiva responsabilità che i prodotti ai quali questa dichiarazione si riferisce sono conformi alle seguenti direttive:

- **2006/95/CE (Low Voltage Directive)**
- **2004/108/CE (Electromagnetic Compatibility Directive)**
- **2011/65/EU (Restriction of the use of certain hazardous substances in electrical and electronic equipment)**

ed alle seguenti norme:

- **EN 60335-1 : 02 (Household and Similar Electrical Appliances – Safety)**
- **EN 60335-2-41 : 03 (Particular Requirements for Pumps)**

(GB) DECLARATION OF CONFORMITY CE

We, **DAB Pumps S.p.A. - Via M.Polo, 14 – Mestrino (PD) – Italy**, declare under our responsibility that the to which this declaration refers are in conformity with the following directives:

- **2006/95/CE (Low Voltage Directive)**
- **2004/108/CE (Electromagnetic Compatibility Directive)**
- **2011/65/EU (Restriction of the use of certain hazardous substances in electrical and electronic equipment)**

and with the following standards:

- **EN 60335-1 : 02 (Household and Similar Electrical Appliances – Safety)**
- **EN 60335-2-41 : 03 (Particular Requirements for Pumps)**

(NL) EG-VERKLARING VAN OVEREENSTEMMING

Wij, **DAB Pumps S.p.A. - Via M.Polo, 14 – Mestrino (PD) – Italy**, verklaren uitsluitend voor eigen verantwoordelijkheid dat de producten waarop deze verklaring betrekking heeft, conform de volgende richtlijnen zijn:

- **2006/95/CE (Low Voltage Directive)**
- **2004/108/CE (Electromagnetic Compatibility Directive)**
- **2011/65/EU (Restriction of the use of certain hazardous substances in electrical and electronic equipment)**

en conform de volgende normen:

- **EN 60335-1 : 02 (Household and Similar Electrical Appliances – Safety)**
- **EN 60335-2-41 : 03 (Particular Requirements for Pumps)**

(SE) EG-FÖRSÄKRAN OM ÖVERENSSTÄMMELSE

Vi, **DAB Pumps S.p.A. - Via M.Polo, 14 – Mestrino (PD) – Italy**, försäkrar under eget ansvar att produkterna som denna försäkran avser är i överensstämmelse med följande direktiv:

- **2006/95/CE (Low Voltage Directive)**
- **2004/108/CE (Electromagnetic Compatibility Directive)**
- **2011/65/EU (Restriction of the use of certain hazardous substances in electrical and electronic equipment)**

och följande standarder:

- **EN 60335-1 : 02 (Household and Similar Electrical Appliances – Safety)**
- **EN 60335-2-41 : 03 (Particular Requirements for Pumps)**

(FR) DÉCLARATION DE CONFORMITÉ CE

Nous, **DAB Pumps S.p.A. - Via M.Polo, 14 – Mestrino (PD) – Italy**, déclarons sous notre responsabilité exclusive que les produits auxquels cette déclaration se réfère sont conformes aux directives suivantes:

- **2006/95/CE (Low Voltage Directive)**
- **2004/108/CE (Electromagnetic Compatibility Directive)**
- **2011/65/EU (Restriction of the use of certain hazardous substances in electrical and electronic equipment)**

ainsi qu'aux normes suivantes:

- **EN 60335-1 : 02 (Household and Similar Electrical Appliances – Safety)**
- **EN 60335-2-41 : 03 (Particular Requirements for Pumps)**

(DE) EG-KONFORMITÄTSERKLÄRUNG

Wir, **DAB Pumps S.p.A. - Via M.Polo, 14 – Mestrino (PD) – Italy**, erklären unter unserer ausschließlichen Verantwortlichkeit, dass die Produkte auf die sich diese Erklärung bezieht, den folgenden Richtlinien:

- **2006/95/CE (Low Voltage Directive)**
- **2004/108/CE (Electromagnetic Compatibility Directive)**
- **2011/65/EU (Restriction of the use of certain hazardous substances in electrical and electronic equipment)**

sowie den folgenden Normen entsprechen:

- **EN 60335-1 : 02 (Household and Similar Electrical Appliances – Safety)**
- **EN 60335-2-41 : 03 (Particular Requirements for Pumps)**

(ES) DECLARACIÓN DE CONFORMIDAD CE

Nosotros, **DAB Pumps S.p.A. - Via M.Polo, 14 – Mestrino (PD) – Italy**, declaramos bajo nuestra exclusiva responsabilidad que los productos a los que se refiere esta declaración son conformes con las directivas siguientes:

- **2006/95/CE (Low Voltage Directive)**
- **2004/108/CE (Electromagnetic Compatibility Directive)**
- **2011/65/EU (Restriction of the use of certain hazardous substances in electrical and electronic equipment)**

y con las normas siguientes:

- **EN 60335-1 : 02 (Household and Similar Electrical Appliances – Safety)**
- **EN 60335-2-41 : 03 (Particular Requirements for Pumps)**

(TR) CE UYGUNLUK BEYANNAMESİ

Biz, **DAB Pumps S.p.A. - Via M.Polo, 14 – Mestrino (PD) – Italy**, Münhasır sorumluluğumuz altında olarak aşağıda belirtilen ve işbu beyannamenin ilişkin olduğu ürünlerin aşağıdaki direktiflere:

- **2006/95/CE (Low Voltage Directive)**
- **2004/108/CE (Electromagnetic Compatibility Directive)**
- **2011/65/EU (Restriction of the use of certain hazardous substances in electrical and electronic equipment)**

ve aşağıdaki standartlara uygun olduklarını beyan ederiz:

- **EN 60335-1 : 02 (Household and Similar Electrical Appliances – Safety)**
 - **EN 60335-2-41 : 03 (Particular Requirements for Pumps)**
-

(RU) ЗАЯВЛЕНИЕ О СООТВЕТСТВИИ CE

Мы, **DAB Pumps S.p.A. - Via M.Polo, 14 – Mestrino (PD) – Italy**, заявляем под полную нашу ответственность, что изделия к которым относится данное заявление, отвечают требованиям следующих директив:

- 2006/95/CE (Low Voltage Directive)
- 2004/108/CE (Electromagnetic Compatibility Directive)
- 2011/65/EU (Restriction of the use of certain hazardous substances in electrical and electronic equipment)

и следующих нормативов:

- EN 60335-1 : 02 (Household and Similar Electrical Appliances – Safety)
- EN 60335-2-41 : 03 (Particular Requirements for Pumps)

(RO) DECLARAȚIE DE CONFORMITATE CE

Noi, **DAB Pumps S.p.A. - Via M.Polo, 14 – Mestrino (PD) – Italy**, declarăm sub exclusivă noastră responsabilitate că produsele la care se referă această declarație sunt conforme cu următoarele directive:

- 2006/95/CE (Low Voltage Directive)
- 2004/108/CE (Electromagnetic Compatibility Directive)
- 2011/65/EU (Restriction of the use of certain hazardous substances in electrical and electronic equipment)

și cu următoarele norme:

- EN 60335-1 : 02 (Household and Similar Electrical Appliances – Safety)
- EN 60335-2-41 : 03 (Particular Requirements for Pumps)

(GR) ΔΗΛΩΣΗ ΣΥΜΜΟΡΦΩΣΗΣ ΕΚ

Η εταιρεία, **DAB Pumps S.p.A. - Via M.Polo, 14 – Mestrino (PD) – Italy**, Δηλώνει υπεύθυνα πως τα προϊόντα στα οποία αναφέρεται η παρούσα δήλωση, συμμορφώνονται με τις προδιαγραφές των παρακάτω οδηγιών:

- 2006/95/CE (Low Voltage Directive)
- 2004/108/CE (Electromagnetic Compatibility Directive)
- 2011/65/EU (Restriction of the use of certain hazardous substances in electrical and electronic equipment)

και με τους παρακάτω κανονισμούς:

- EN 60335-1 : 02 (Household and Similar Electrical Appliances – Safety)
- EN 60335-2-41 : 03 (Particular Requirements for Pumps)

欧盟符合标准声明

我们, 即 **DAB Pumps S.p.A. – Via M.Polo, 14 – Mestrino (PD) – Italy**, 基于独立承担责任的原则在此声明本声明所涉及的这些产品符合以下指令:

- 2006/95/CE (Low Voltage Directive)
- 2004/108/CE (Electromagnetic Compatibility Directive)
- 2011/65/EU (Restriction of the use of certain hazardous substances in electrical and electronic equipment)

同时还符合以下标准:

- EN 60335-1 : 02 (Household and Similar Electrical Appliances – Safety)
- EN 60335-2-41 : 03 (Particular Requirements for Pumps)

(LT) ES ATITIKTIES DEKLARACIJA

Mes, **DAB Pumps S.p.A. - Via M.Polo, 14 – Mestrino (PD) – Italy**, atsakingai pareiškiame, kad produktai atitinka šių direktyvų reikalavimus:

- 2006/95/CE (Low Voltage Directive)
- 2004/108/CE (Electromagnetic Compatibility Directive)
- 2011/65/EU (Restriction of the use of certain hazardous substances in electrical and electronic equipment)

bei šių normų reikalavimus:

- EN 60335-1 : 02 (Household and Similar Electrical Appliances – Safety)
- EN 60335-2-41 : 03 (Particular Requirements for Pumps)

(PT) DECLARAÇÃO DE CONFORMIDADE CE

Nós, **DAB Pumps S.p.A. - Via M.Polo, 14 – Mestrino (PD) – Italy**, declaramos sob nossa exclusiva responsabilidade que os produtos aos quais esta declaração diz respeito, estão em conformidade com as seguintes diretivas:

- 2006/95/CE (Low Voltage Directive)
- 2004/108/CE (Electromagnetic Compatibility Directive)
- 2011/65/EU (Restriction of the use of certain hazardous substances in electrical and electronic equipment)

e com as seguintes normas:

- EN 60335-1 : 02 (Household and Similar Electrical Appliances – Safety)
- EN 60335-2-41 : 03 (Particular Requirements for Pumps)

شهادة مطابقة أوروبية (CE)

نحن

DAB Pumps S.p.A. – Via M.Polo, 14 – Mestrino (PD) – Italy

نصرّح تحت مسؤوليتنا الخاصة بأن المنتجات

التي إليها توحى هذه الشهادة مطابقة للأنظمة التالية:

2006/95/CE (Low Voltage Directive)

2004/108/CE (Electromagnetic Compatibility Directive)

2011/65/EU (Restriction of the use of certain hazardous substances in electrical and electronic equipment)

وللأنظمة التالية.

EN 60335-1 : 02 (Household and Similar Electrical Appliances Safety)

EN 60335-2-41 : 03 (Particular Requirements for Pumps)

(CZ) PROHLÁŠENÍ O SHODĚ CE

My, **DAB Pumps S.p.A. - Via M.Polo, 14 – Mestrino (PD) – Italy**, prohlašujeme na svou zodpovědnost, že výrobky, na které toho prohlášení platí, jsou ve shodě s následujícími směrnici:

- 2006/95/CE (Low Voltage Directive)
- 2004/108/CE (Electromagnetic Compatibility Directive)
- 2011/65/EU (Restriction of the use of certain hazardous substances in electrical and electronic equipment)

A s následujícími normami:

- EN 60335-1 : 02 (Household and Similar Electrical Appliances – Safety)
- EN 60335-2-41 : 03 (Particular Requirements for Pumps)

(FI) EY-VAATIMUSTENMUKAISUUSVAKUUTUS

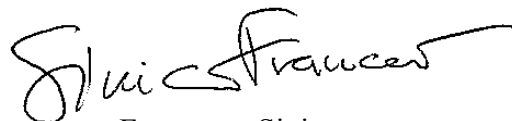
Me, **DAB Pumps S.p.A. - Via M.Polo, 14 – Mestrino (PD) – Italy**, vakuutamme ottaen täyden vastuun, että tuotteet joita tämä vakuutus koskee, ovat seuraavien direktiivien:

- **2006/95/CE (Low Voltage Directive)**
- **2004/108/CE (Electromagnetic Compatibility Directive)**
- **2011/65/EU (Restriction of the use of certain hazardous substances in electrical and electronic equipment)**

ja seuraavien standardien mukaisia:

- **EN 60335-1 : 02 (Household and Similar Electrical Appliances – Safety)**
- **EN 60335-2-41 : 03 (Particular Requirements for Pumps)**

Mestrino (PD), 01/01/2013



Francesco Sinico
Technical Director

KP 38/18 – 60/6 – 60/12
KPA 40/20

(IT) DICHIARAZIONE DI CONFORMITÀ CE

Noi, **DAB Pumps S.p.A. - Via M.Polo, 14 – Mestrino (PD) – Italy**, dichiariamo sotto la nostra esclusiva responsabilità che i prodotti ai quali questa dichiarazione si riferisce sono conformi alle seguenti direttive:

- **2006/42/CE (Machine Directive)**
- **2006/95/CE (Low Voltage Directive)**
- **2004/108/CE (Electromagnetic Compatibility Directive)**
- **2011/65/EU (Restriction of the use of certain hazardous substances in electrical and electronic equipment)**

ed alle seguenti norme:

- **EN 60335-1 : 02 (Household and Similar Electrical Appliances – Safety)**
- **EN 60335-2-41 : 03 (Particular Requirements for Pumps)**
- **EN 60204-1 : 06 (Electrical Equipment of Machines)**
- **EN 809 : 98 (Pumps and pump units for liquids - Common safety requirements)**

(GB) DECLARATION OF CONFORMITY CE

We, **DAB Pumps S.p.A. - Via M.Polo, 14 – Mestrino (PD) – Italy**, declare under our responsibility that the to which this declaration refers are in conformity with the following directives:

- **2006/42/CE (Machine Directive)**
- **2006/95/CE (Low Voltage Directive)**
- **2004/108/CE (Electromagnetic Compatibility Directive)**
- **2011/65/EU (Restriction of the use of certain hazardous substances in electrical and electronic equipment)**

and with the following standards:

- **EN 60335-1 : 02 (Household and Similar Electrical Appliances – Safety)**
- **EN 60335-2-41 : 03 (Particular Requirements for Pumps)**
- **EN 60204-1 : 06 (Electrical Equipment of Machines)**
- **EN 809 : 98 (Pumps and pump units for liquids - Common safety requirements)**

(FR) DÉCLARATION DE CONFORMITÉ CE

Nous, **DAB Pumps S.p.A. - Via M.Polo, 14 – Mestrino (PD) – Italy**, déclarons sous notre responsabilité exclusive que les produits auxquels cette déclaration se réfère sont conformes aux directives suivantes:

- **2006/42/CE (Machine Directive)**
- **2006/95/CE (Low Voltage Directive)**
- **2004/108/CE (Electromagnetic Compatibility Directive)**
- **2011/65/EU (Restriction of the use of certain hazardous substances in electrical and electronic equipment)**

ainsi qu'aux normes suivantes:

- **EN 60335-1 : 02 (Household and Similar Electrical Appliances – Safety)**
- **EN 60335-2-41 : 03 (Particular Requirements for Pumps)**
- **EN 60204-1 : 06 (Electrical Equipment of Machines)**
- **EN 809 : 98 (Pumps and pump units for liquids - Common safety requirements)**

(DE) EG-KONFORMITÄTSERKLÄRUNG

Wir, **DAB Pumps S.p.A. - Via M.Polo, 14 – Mestrino (PD) – Italy**, erklären unter unserer ausschließlichen Verantwortlichkeit, dass die Produkte auf die sich diese Erklärung bezieht, den folgenden Richtlinien:

- **2006/42/CE (Machine Directive)**
- **2006/95/CE (Low Voltage Directive)**
- **2004/108/CE (Electromagnetic Compatibility Directive)**
- **2011/65/EU (Restriction of the use of certain hazardous substances in electrical and electronic equipment)**

sowie den folgenden Normen entsprechen:

- **EN 60335-1 : 02 (Household and Similar Electrical Appliances – Safety)**
 - **EN 60335-2-41 : 03 (Particular Requirements for Pumps)**
 - **EN 60204-1 : 06 (Electrical Equipment of Machines)**
 - **EN 809 : 98 (Pumps and pump units for liquids - Common safety requirements)**
-

(NL) EG-VERKLARING VAN OVEREENSTEMMING

Wij, DAB Pumps S.p.A. - Via M.Polo, 14 – Mestrino (PD) – Italy, verklaren uitsluitend voor eigen verantwoordelijkheid dat de producten waarop deze verklaring betrekking heeft, conform de volgende richtlijnen zijn:

- 2006/42/CE (Machine Directive)
- 2006/95/CE (Low Voltage Directive)
- 2004/108/CE (Electromagnetic Compatibility Directive)
- 2011/65/EU (Restriction of the use of certain hazardous substances in electrical and electronic equipment)

en conform de volgende normen:

- EN 60335-1 : 02 (Household and Similar Electrical Appliances – Safety)
- EN 60335-2-41 : 03 (Particular Requirements for Pumps)
- EN 60204-1 : 06 (Electrical Equipment of Machines)
- EN 809 : 98 (Pumps and pump units for liquids - Common safety requirements)

(SE) EG-FÖRSÄKRAN OM ÖVERENSSTÄMMELSE

Vi, DAB Pumps S.p.A. - Via M.Polo, 14 – Mestrino (PD) – Italy, försäkrar under eget ansvar att produkterna som denna försäkran avser är i överensstämmelse med följande direktiv:

- 2006/42/CE (Machine Directive)
- 2006/95/CE (Low Voltage Directive)
- 2004/108/CE (Electromagnetic Compatibility Directive)
- 2011/65/EU (Restriction of the use of certain hazardous substances in electrical and electronic equipment)

och följande standarder:

- EN 60335-1 : 02 (Household and Similar Electrical Appliances – Safety)
- EN 60335-2-41 : 03 (Particular Requirements for Pumps)
- EN 60204-1 : 06 (Electrical Equipment of Machines)
- EN 809 : 98 (Pumps and pump units for liquids - Common safety requirements)

(RU) ЗАЯВЛЕНИЕ О СООТВЕТСТВИИ CE

Мы, DAB Pumps S.p.A. - Via M.Polo, 14 – Mestrino (PD) – Italy, заявляем под полную нашу ответственность, что изделия к которым относится данное заявление, отвечают требованиям следующих директив:

- 2006/42/CE (Machine Directive)
- 2006/95/CE (Low Voltage Directive)
- 2004/108/CE (Electromagnetic Compatibility Directive)
- 2011/65/EU (Restriction of the use of certain hazardous substances in electrical and electronic equipment)

и следующих нормативов:

- EN 60335-1 : 02 (Household and Similar Electrical Appliances – Safety)
- EN 60335-2-41 : 03 (Particular Requirements for Pumps)
- EN 60204-1 : 06 (Electrical Equipment of Machines)
- EN 809 : 98 (Pumps and pump units for liquids - Common safety requirements)

(RO) DECLARAȚIE DE CONFORMITATE CE

Noi, DAB Pumps S.p.A. - Via M.Polo, 14 – Mestrino (PD) – Italy, declarăm sub exclusivă noastră responsabilitate că produsele la care se referă această declarație sunt conforme cu următoarele directive:

- 2006/42/CE (Machine Directive)
- 2006/95/CE (Low Voltage Directive)
- 2004/108/CE (Electromagnetic Compatibility Directive)
- 2011/65/EU (Restriction of the use of certain hazardous substances in electrical and electronic equipment)

și cu următoarele norme:

- EN 60335-1 : 02 (Household and Similar Electrical Appliances – Safety)
- EN 60335-2-41 : 03 (Particular Requirements for Pumps)
- EN 60204-1 : 06 (Electrical Equipment of Machines)
- EN 809 : 98 (Pumps and pump units for liquids - Common safety requirements)

(ES) DECLARACIÓN DE CONFORMIDAD CE

Nosotros, DAB Pumps S.p.A. - Via M.Polo, 14 – Mestrino (PD) – Italy, declaramos bajo nuestra exclusiva responsabilidad que los productos a los que se refiere esta declaración son conformes con las directivas siguientes:

- 2006/42/CE (Machine Directive)
- 2006/95/CE (Low Voltage Directive)
- 2004/108/CE (Electromagnetic Compatibility Directive)
- 2011/65/EU (Restriction of the use of certain hazardous substances in electrical and electronic equipment)

y con las normas siguientes:

- EN 60335-1 : 02 (Household and Similar Electrical Appliances – Safety)
- EN 60335-2-41 : 03 (Particular Requirements for Pumps)
- EN 60204-1 : 06 (Electrical Equipment of Machines)
- EN 809 : 98 (Pumps and pump units for liquids - Common safety requirements)

(TR) CE UYGUNLUK BEYANNAMESİ

Biz, DAB Pumps S.p.A. - Via M.Polo, 14 – Mestrino (PD) – Italy, Mühürsür sorumluluğumuz altında olarak aşağıda belirtilen ve işbu beyannamenin ilişkin olduğu ürünlerin aşağıdaki direktiflere:

- 2006/42/CE (Machine Directive)
- 2006/95/CE (Low Voltage Directive)
- 2004/108/CE (Electromagnetic Compatibility Directive)
- 2011/65/EU (Restriction of the use of certain hazardous substances in electrical and electronic equipment)

ve aşağıdaki standartlara uygun olduklarını beyan ederiz:

- EN 60335-1 : 02 (Household and Similar Electrical Appliances – Safety)
- EN 60335-2-41 : 03 (Particular Requirements for Pumps)
- EN 60204-1 : 06 (Electrical Equipment of Machines)
- EN 809 : 98 (Pumps and pump units for liquids - Common safety requirements)

(LT) ES ATITIKTIES DEKLARACIJA

Mes, DAB Pumps S.p.A. - Via M.Polo, 14 – Mestrino (PD) – Italy, atsakingai pareiškiamo, kad produktai atitinka šių direktyvų reikalavimus:

- 2006/42/CE (Machine Directive)
- 2006/95/CE (Low Voltage Directive)
- 2004/108/CE (Electromagnetic Compatibility Directive)
- 2011/65/EU (Restriction of the use of certain hazardous substances in electrical and electronic equipment)

bei šių normų reikalavimus:

- EN 60335-1 : 02 (Household and Similar Electrical Appliances – Safety)
- EN 60335-2-41 : 03 (Particular Requirements for Pumps)
- EN 60204-1 : 06 (Electrical Equipment of Machines)
- EN 809 : 98 (Pumps and pump units for liquids - Common safety requirements)

(PT) DECLARAÇÃO DE CONFORMIDADE CE

Nós, DAB Pumps S.p.A. - Via M.Polo, 14 – Mestrino (PD) – Italy, declaramos sob nossa exclusiva responsabilidade que os produtos aos quais esta declaração diz respeito, estão em conformidade com as seguintes directivas:

- 2006/42/CE (Machine Directive)
- 2006/95/CE (Low Voltage Directive)
- 2004/108/CE (Electromagnetic Compatibility Directive)
- 2011/65/EU (Restriction of the use of certain hazardous substances in electrical and electronic equipment)

e com as seguintes normas:

- EN 60335-1 : 02 (Household and Similar Electrical Appliances – Safety)
- EN 60335-2-41 : 03 (Particular Requirements for Pumps)
- EN 60204-1 : 06 (Electrical Equipment of Machines)
- EN 809 : 98 (Pumps and pump units for liquids - Common safety requirements)

(GR) ΔΗΛΩΣΗ ΣΥΜΜΟΡΦΩΣΗΣ ΕΚ

Η εταιρεία, **DAB Pumps S.p.A. - Via M.Polo, 14 – Mestrino (PD) – Italy**, Δηλώνει υπεύθυνα πως τα προϊόντα στα οποία αναφέρεται η παρούσα δήλωση, συμμορφώνονται με τις προδιαγραφές των παρακάτω οδηγιών:

- 2006/42/CE (Machine Directive)
- 2006/95/CE (Low Voltage Directive)
- 2004/108/CE (Electromagnetic Compatibility Directive)
- 2011/65/EU (Restriction of the use of certain hazardous substances in electrical and electronic equipment)

και με τους παρακάτω κανονισμούς:

- EN 60335-1 : 02 (Household and Similar Electrical Appliances – Safety)
- EN 60335-2-41 : 03 (Particular Requirements for Pumps)
- EN 60204-1 : 06 (Electrical Equipment of Machines)
- EN 809 : 98 (Pumps and pump units for liquids - Common safety requirements)

欧盟符合标准声明

我们, 即 **DAB Pumps S.p.A. - Via M.Polo, 14 – Mestrino (PD) – Italy**, 基于独立承担责任的原则在此声明

本声明所涉及的这些产品符合以下指令:

- 2006/42/CE (Machine Directive)
- 2006/95/CE (Low Voltage Directive)
- 2004/108/CE (Electromagnetic Compatibility Directive)
- 2011/65/EU (Restriction of the use of certain hazardous substances in electrical and electronic equipment)

同时还符合以下标准:

- EN 60335-1 : 02 (Household and Similar Electrical Appliances – Safety)
- EN 60335-2-41 : 03 (Particular Requirements for Pumps)
- EN 60204-1 : 06 (Electrical Equipment of Machines)
- EN 809 : 98 (Pumps and pump units for liquids - Common safety requirements)

(FI) EY-VAATIMUSTENMUKAISUUSVAKUUTUS

Me, **DAB Pumps S.p.A. - Via M.Polo, 14 – Mestrino (PD) – Italy**, vakuutamme ottaen täyden vastuun, että tuotteet joita tämä vakuutus koskee, ovat seuraavien direktiivien

- 2006/42/CE (Machine Directive)
- 2006/95/CE (Low Voltage Directive)
- 2004/108/CE (Electromagnetic Compatibility Directive)
- 2011/65/EU (Restriction of the use of certain hazardous substances in electrical and electronic equipment)

ja seuraavien standardien mukaisia:

- EN 60335-1 : 02 (Household and Similar Electrical Appliances – Safety)
- EN 60335-2-41 : 03 (Particular Requirements for Pumps)
- EN 60204-1 : 06 (Electrical Equipment of Machines)
- EN 809 : 98 (Pumps and pump units for liquids - Common safety requirements)

Mestrino (PD), 01/01/2013

(CE) شهادة مطابقة أوروبية

نحن

DAB Pumps S.p.A. - Via M.Polo, 14 – Mestrino (PD) – Italy

نصرّح تحت مسؤوليتنا الخاصة بأن المنتجات

التي إليها توجي هذه الشهادة مطابقة للأنظمة التالية:

- 2006/42/CE (Machine Directive)
- 2006/95/CE (Low Voltage Directive)
- 2004/108/CE (Electromagnetic Compatibility Directive)
- 2011/65/EU (Restriction of the use of certain hazardous substances in electrical and electronic equipment)

وللأنظمة التالية:

- EN 60335-1 : 02 (Household and Similar Electrical Appliances – Safety)
- EN 60335-2-41 : 03 (Particular Requirements for Pumps)
- EN 60204-1 : 06 (Electrical Equipment of Machines)
- EN 809 : 98 (Pumps and pump units for liquids - Common safety requirements)


(CZ) PROHLÁŠENÍ O SHODĚ CE

My, **DAB Pumps S.p.A. - Via M.Polo, 14 – Mestrino (PD) – Italy**, prohlašujeme na svou zodpovědnost, že výrobky, na které toho prohlášení platí, jsou ve shodě s následujícími směrnici:

- 2006/42/CE (Machine Directive)
- 2006/95/CE (Low Voltage Directive)
- 2004/108/CE (Electromagnetic Compatibility Directive)
- 2011/65/EU (Restriction of the use of certain hazardous substances in electrical and electronic equipment)

A s následujícími normami:

- EN 60335-1 : 02 (Household and Similar Electrical Appliances – Safety)
- EN 60335-2-41 : 03 (Particular Requirements for Pumps)
- EN 60204-1 : 06 (Electrical Equipment of Machines)
- EN 809 : 98 (Pumps and pump units for liquids - Common safety requirements)



Francesco Sinico
Technical Director

K-KE

(IT) DICHIARAZIONE DI CONFORMITÀ CE

Noi, **DAB Pumps S.p.A. - Via M.Polo, 14 – Mestrino (PD) – Italy**, dichiariamo sotto la nostra esclusiva responsabilità che i prodotti ai quali questa dichiarazione si riferisce sono conformi alle seguenti direttive:

- 2006/42/CE (Machine Directive)
- 2006/95/CE (Low Voltage Directive)
- 2004/108/CE (Electromagnetic Compatibility Directive)
- 2009/125/EC/ ErP (Energy related Products)
- 2011/65/EU (Restriction of the use of certain hazardous substances in electrical and electronic equipment)

ed alle seguenti norme:

- EN 60335-1 : 02 (Household and Similar Electrical Appliances – Safety)
- EN 60335-2-41 : 03 (Particular Requirements for Pumps)
- EN 60204-1 : 06 (Electrical Equipment of Machines)
- EN 809 : 98 (Pumps and pump units for liquids - Common safety requirements)

(GB) DECLARATION OF CONFORMITY CE

We, **DAB Pumps S.p.A. - Via M.Polo, 14 – Mestrino (PD) – Italy**, declare under our responsibility that the to which this declaration refers are in conformity with the following directives:

- 2006/42/CE (Machine Directive)
- 2006/95/CE (Low Voltage Directive)
- 2004/108/CE (Electromagnetic Compatibility Directive)
- 2009/125/EC/ ErP (Energy related Products)
- 2011/65/EU (Restriction of the use of certain hazardous substances in electrical and electronic equipment)

and with the following standards:

- EN 60335-1 : 02 (Household and Similar Electrical Appliances – Safety)
- EN 60335-2-41 : 03 (Particular Requirements for Pumps)
- EN 60204-1 : 06 (Electrical Equipment of Machines)
- EN 809 : 98 (Pumps and pump units for liquids - Common safety requirements)

(NL) EG-VERKLARING VAN OVEREENSTEMMING

Wij, **DAB Pumps S.p.A. - Via M.Polo, 14 – Mestrino (PD) – Italy**, verklaren uitsluitend voor eigen verantwoordelijkheid dat de producten waarop deze verklaring betrekking heeft, conform de volgende richtlijnen zijn:

- 2006/42/CE (Machine Directive)
- 2006/95/CE (Low Voltage Directive)
- 2004/108/CE (Electromagnetic Compatibility Directive)
- 2009/125/EC/ ErP (Energy related Products)
- 2011/65/EU (Restriction of the use of certain hazardous substances in electrical and electronic equipment)

en conform de volgende normen:

- EN 60335-1 : 02 (Household and Similar Electrical Appliances – Safety)
- EN 60335-2-41 : 03 (Particular Requirements for Pumps)
- EN 60204-1 : 06 (Electrical Equipment of Machines)
- EN 809 : 98 (Pumps and pump units for liquids - Common safety requirements)

(FR) DÉCLARATION DE CONFORMITÉ CE

Nous, **DAB Pumps S.p.A. - Via M.Polo, 14 – Mestrino (PD) – Italy**, déclarons sous notre responsabilité exclusive que les produits auxquels cette déclaration se réfère sont conformes aux directives suivantes:

- 2006/42/CE (Machine Directive)
- 2006/95/CE (Low Voltage Directive)
- 2004/108/CE (Electromagnetic Compatibility Directive)
- 2009/125/EC/ ErP (Energy related Products)
- 2011/65/EU (Restriction of the use of certain hazardous substances in electrical and electronic equipment)

ainsi qu'aux normes suivantes:

- EN 60335-1 : 02 (Household and Similar Electrical Appliances – Safety)
- EN 60335-2-41 : 03 (Particular Requirements for Pumps)
- EN 60204-1 : 06 (Electrical Equipment of Machines)
- EN 809 : 98 (Pumps and pump units for liquids - Common safety requirements)

(DE) EG-KONFORMITÄTSERKLÄRUNG

Wir, **DAB Pumps S.p.A. - Via M.Polo, 14 – Mestrino (PD) – Italy**, erklären unter unserer ausschließlichen Verantwortlichkeit, dass die Produkte auf die sich diese Erklärung bezieht, den folgenden Richtlinien:

- 2006/42/CE (Machine Directive)
- 2006/95/CE (Low Voltage Directive)
- 2004/108/CE (Electromagnetic Compatibility Directive)
- 2009/125/EC/ ErP (Energy related Products)
- 2011/65/EU (Restriction of the use of certain hazardous substances in electrical and electronic equipment)

sowie den folgenden Normen entsprechen:

- EN 60335-1 : 02 (Household and Similar Electrical Appliances – Safety)
- EN 60335-2-41 : 03 (Particular Requirements for Pumps)
- EN 60204-1 : 06 (Electrical Equipment of Machines)
- EN 809 : 98 (Pumps and pump units for liquids - Common safety requirements)

(ES) DECLARACIÓN DE CONFORMIDAD CE

Nosotros, **DAB Pumps S.p.A. - Via M.Polo, 14 – Mestrino (PD) – Italy**, declaramos bajo nuestra exclusiva responsabilidad que los productos a los que se refiere esta declaración son conformes con las directivas siguientes:

- 2006/42/CE (Machine Directive)
- 2006/95/CE (Low Voltage Directive)
- 2004/108/CE (Electromagnetic Compatibility Directive)
- 2009/125/EC/ ErP (Energy related Products)
- 2011/65/EU (Restriction of the use of certain hazardous substances in electrical and electronic equipment)

y con las normas siguientes:

- EN 60335-1 : 02 (Household and Similar Electrical Appliances – Safety)
 - EN 60335-2-41 : 03 (Particular Requirements for Pumps)
 - EN 60204-1 : 06 (Electrical Equipment of Machines)
 - EN 809 : 98 (Pumps and pump units for liquids - Common safety requirements)
-

(SE) EG-FÖRSÄKRAN OM ÖVERENSSTÄMMELSE

Vi, **DAB Pumps S.p.A. - Via M.Polo, 14 – Mestrino (PD) – Italy**, försäkrar under eget ansvar att produkterna som denna försäkran avser är i överensstämmelse med följande direktiv:

- 2006/42/CE (Machine Directive)
- 2006/95/CE (Low Voltage Directive)
- 2004/108/CE (Electromagnetic Compatibility Directive)
- 2009/125/EC/ ErP (Energy related Products)
- 2011/65/EU (Restriction of the use of certain hazardous substances in electrical and electronic equipment)

och följande standarder:

- EN 60335-1 : 02 (Household and Similar Electrical Appliances – Safety)
- EN 60335-2-41 : 03 (Particular Requirements for Pumps)
- EN 60204-1 : 06 (Electrical Equipment of Machines)
- EN 809 : 98 (Pumps and pump units for liquids - Common safety requirements)

(RU) ЗАЯВЛЕНИЕ О СООТВЕТСТВИИ CE

Мы, **DAB Pumps S.p.A. - Via M.Polo, 14 – Mestrino (PD) – Italy**, заявляем под полную нашу ответственность, что изделия к которым относится данное заявление, отвечают требованиям следующих директив:

- 2006/42/CE (Machine Directive)
- 2006/95/CE (Low Voltage Directive)
- 2004/108/CE (Electromagnetic Compatibility Directive)
- 2009/125/EC/ ErP (Energy related Products)
- 2011/65/EU (Restriction of the use of certain hazardous substances in electrical and electronic equipment)

и следующих нормативов:

- EN 60335-1 : 02 (Household and Similar Electrical Appliances – Safety)
- EN 60335-2-41 : 03 (Particular Requirements for Pumps)
- EN 60204-1 : 06 (Electrical Equipment of Machines)
- EN 809 : 98 (Pumps and pump units for liquids - Common safety requirements)

(RO) DECLARAȚIE DE CONFORMITATE CE

Noi, **DAB Pumps S.p.A. - Via M.Polo, 14 – Mestrino (PD) – Italy**, declarăm sub exclusivă noastră responsabilitate că produsele la care se referă această declarație sunt conforme cu următoarele directive:

- 2006/42/CE (Machine Directive)
- 2006/95/CE (Low Voltage Directive)
- 2004/108/CE (Electromagnetic Compatibility Directive)
- 2009/125/EC/ ErP (Energy related Products)
- 2011/65/EU (Restriction of the use of certain hazardous substances in electrical and electronic equipment)

și cu următoarele norme:

- EN 60335-1 : 02 (Household and Similar Electrical Appliances – Safety)
- EN 60335-2-41 : 03 (Particular Requirements for Pumps)
- EN 60204-1 : 06 (Electrical Equipment of Machines)
- EN 809 : 98 (Pumps and pump units for liquids - Common safety requirements)

(TR) CE UYGUNLUK BEYANNAMESİ

Biz, **DAB Pumps S.p.A. - Via M.Polo, 14 – Mestrino (PD) – Italy**, Münhasır sorumluluğumuz altında olarak aşağıda belirtilen ve işbu beyannamenin ilişkin olduğu ürünlerin aşağıdaki direktiflere:

- 2006/42/CE (Machine Directive)
- 2006/95/CE (Low Voltage Directive)
- 2004/108/CE (Electromagnetic Compatibility Directive)
- 2009/125/EC/ ErP (Energy related Products)
- 2011/65/EU (Restriction of the use of certain hazardous substances in electrical and electronic equipment)

ve aşağıdaki standartlara uygun olduklarını beyan ederiz:

- EN 60335-1 : 02 (Household and Similar Electrical Appliances – Safety)
- EN 60335-2-41 : 03 (Particular Requirements for Pumps)
- EN 60204-1 : 06 (Electrical Equipment of Machines)
- EN 809 : 98 (Pumps and pump units for liquids - Common safety requirements)

(LT) ES ATITIKTIES DEKLARACIJA

Mes, **DAB Pumps S.p.A. - Via M.Polo, 14 – Mestrino (PD) – Italy**, atsakingai pareiškiame, kad produktai atitinka šių direktyvų reikalavimus:

- 2006/42/CE (Machine Directive)
- 2006/95/CE (Low Voltage Directive)
- 2004/108/CE (Electromagnetic Compatibility Directive)
- 2009/125/EC/ ErP (Energy related Products)
- 2011/65/EU (Restriction of the use of certain hazardous substances in electrical and electronic equipment)

bei šių normų reikalavimus:

- EN 60335-1 : 02 (Household and Similar Electrical Appliances – Safety)
- EN 60335-2-41 : 03 (Particular Requirements for Pumps)
- EN 60204-1 : 06 (Electrical Equipment of Machines)
- EN 809 : 98 (Pumps and pump units for liquids - Common safety requirements)

(PT) DECLARAÇÃO DE CONFORMIDADE CE

Nós, **DAB Pumps S.p.A. - Via M.Polo, 14 – Mestrino (PD) – Italy**, declaramos sob nossa exclusivă responsabilidade que os produtos aos quais esta declaração diz respeito, estão em conformidade com as seguintes directivas:

- 2006/42/CE (Machine Directive)
- 2006/95/CE (Low Voltage Directive)
- 2004/108/CE (Electromagnetic Compatibility Directive)
- 2009/125/EC/ ErP (Energy related Products)
- 2011/65/EU (Restriction of the use of certain hazardous substances in electrical and electronic equipment)

e com as seguintes normas:

- EN 60335-1 : 02 (Household and Similar Electrical Appliances – Safety)
- EN 60335-2-41 : 03 (Particular Requirements for Pumps)
- EN 60204-1 : 06 (Electrical Equipment of Machines)
- EN 809 : 98 (Pumps and pump units for liquids - Common safety requirements)

(GR) ΔΗΛΩΣΗ ΣΥΜΜΟΡΦΩΣΗΣ ΕΚ

Η εταιρεία, **DAB Pumps S.p.A. - Via M.Polo, 14 – Mestrino (PD) – Italy**, Δηλώνει υπεύθυνα πως τα προϊόντα στα οποία αναφέρεται η παρούσα δήλωση, συμμορφώνονται με τις προδιαγραφές των παρακάτω οδηγιών:

- 2006/42/CE (Machine Directive)
- 2006/95/CE (Low Voltage Directive)
- 2004/108/CE (Electromagnetic Compatibility Directive)
- 2009/125/EC/ ErP (Energy related Products)
- 2011/65/EU (Restriction of the use of certain hazardous substances in electrical and electronic equipment)

και με τους παρακάτω κανονισμούς:

- EN 60335-1 : 02 (Household and Similar Electrical Appliances – Safety)
- EN 60335-2-41 : 03 (Particular Requirements for Pumps)
- EN 60204-1 : 06 (Electrical Equipment of Machines)
- EN 809 : 98 (Pumps and pump units for liquids - Common safety requirements)

欧盟符合标准声明

我们, 即 **DAB Pumps S.p.A. - Via M.Polo, 14 – Mestrino (PD) – Italy**, 基于独立承担责任的原则在此声明

本声明所涉及的这些产品符合以下指令:

- 2006/42/CE (Machine Directive)
- 2006/95/CE (Low Voltage Directive)
- 2004/108/CE (Electromagnetic Compatibility Directive)
- 2009/125/EC/ ErP (Energy related Products)
- 2011/65/EU (Restriction of the use of certain hazardous substances in electrical and electronic equipment)

同时还符合以下标准:

- EN 60335-1 : 02 (Household and Similar Electrical Appliances – Safety)
- EN 60335-2-41 : 03 (Particular Requirements for Pumps)
- EN 60204-1 : 06 (Electrical Equipment of Machines)
- EN 809 : 98 (Pumps and pump units for liquids - Common safety requirements)

(FI) EY-VAATIMUSTENMUKAISUUSVAKUUTUS

Me, **DAB Pumps S.p.A. - Via M.Polo, 14 – Mestrino (PD) – Italy**, vakuutamme ottaen täyden vastuun, että tuotteet joita tämä vakuutus koskee, ovat seuraavien direktiivien:

- 2006/42/CE (Machine Directive)
- 2006/95/CE (Low Voltage Directive)
- 2004/108/CE (Electromagnetic Compatibility Directive)
- 2009/125/EC/ ErP (Energy related Products)
- 2011/65/EU (Restriction of the use of certain hazardous substances in electrical and electronic equipment)

ja seuraavien standardien mukaisia:

- EN 60335-1 : 02 (Household and Similar Electrical Appliances – Safety)
- EN 60335-2-41 : 03 (Particular Requirements for Pumps)
- EN 60204-1 : 06 (Electrical Equipment of Machines)
- EN 809 : 98 (Pumps and pump units for liquids - Common safety requirements)

Mestrino (PD), 01/01/2013

شهادة مطابقة أوروبية (CE)

نحن

DAB Pumps S.p.A. - Via M.Polo, 14 – Mestrino (PD) – Italy

نصرّح تحت مسؤوليتنا الخاصة بأن المنتجات

التي إليها توجي هذه الشهادة مطابقة للأنظمة التالية:

- 2006/42/CE (Machine Directive)
- 2006/95/CE (Low Voltage Directive)
- 2004/108/CE (Electromagnetic Compatibility Directive)
- 2009/125/EC/ ErP (Energy related Products)
- 2011/65/EU (Restriction of the use of certain hazardous substances in electrical and electronic equipment)

وللأنظمة التالية:

- EN 60335-1 : 02 (Household and Similar Electrical Appliances – Safety)
- EN 60335-2-41 : 03 (Particular Requirements for Pumps)
- EN 60204-1 : 06 (Electrical Equipment of Machines)
- EN 809 : 98 (Pumps and pump units for liquids - Common safety requirements)

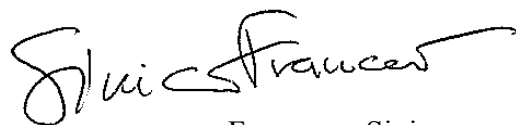
(CZ) PROHLÁŠENÍ O SHODĚ CE

My, **DAB Pumps S.p.A. - Via M.Polo, 14 – Mestrino (PD) – Italy**, prohlašujeme na svou zodpovědnost, že výrobky, na které toho prohlášení platí, jsou ve shodě s následujícími směrnici:

- 2006/42/CE (Machine Directive)
- 2006/95/CE (Low Voltage Directive)
- 2004/108/CE (Electromagnetic Compatibility Directive)
- 2009/125/EC/ ErP (Energy related Products)
- 2011/65/EU (Restriction of the use of certain hazardous substances in electrical and electronic equipment)

A s následujícími normami:

- EN 60335-1 : 02 (Household and Similar Electrical Appliances – Safety)
- EN 60335-2-41 : 03 (Particular Requirements for Pumps)
- EN 60204-1 : 06 (Electrical Equipment of Machines)
- EN 809 : 98 (Pumps and pump units for liquids - Common safety requirements)



Francesco Sinico
Technical Director

AQUADP

(IT) DICHIARAZIONE DI CONFORMITÀ CE

Noi, **DAB Pumps S.p.A. - Via M.Polo, 14 – Mestrino (PD) – Italy**, dichiariamo sotto la nostra esclusiva responsabilità che i prodotti ai quali questa dichiarazione si riferisce sono conformi alle seguenti direttive:

- 2006/95/CE (Low Voltage Directive)
- 2004/108/CE (Electromagnetic Compatibility Directive)
- 97/23/CE (PED Directive)
- 2011/65/EU (Restriction of the use of certain hazardous substances in electrical and electronic equipment)

ed alle seguenti norme:

- EN 60335-1 : 02 (Household and Similar Electrical Appliances – Safety)
- EN 60335-2-41 : 03 (Particular Requirements for Pumps)

(GB) DECLARATION OF CONFORMITY CE

We, **DAB Pumps S.p.A. - Via M.Polo, 14 – Mestrino (PD) – Italy**, declare under our responsibility that the to which this declaration refers are in conformity with the following directives:

- 2006/95/CE (Low Voltage Directive)
- 2004/108/CE (Electromagnetic Compatibility Directive)
- 97/23/CE (PED Directive)
- 2011/65/EU (Restriction of the use of certain hazardous substances in electrical and electronic equipment)

and with the following standards:

- EN 60335-1 : 02 (Household and Similar Electrical Appliances – Safety)
- EN 60335-2-41 : 03 (Particular Requirements for Pumps)

(NL) EG-VERKLARING VAN OVEREENSTEMMING

Wij, **DAB Pumps S.p.A. - Via M.Polo, 14 – Mestrino (PD) – Italy**, verklaren uitsluitend voor eigen verantwoordelijkheid dat de producten waarop deze verklaring betrekking heeft, conform de volgende richtlijnen zijn:

- 2006/95/CE (Low Voltage Directive)
- 2004/108/CE (Electromagnetic Compatibility Directive)
- 97/23/CE (PED Directive)
- 2011/65/EU (Restriction of the use of certain hazardous substances in electrical and electronic equipment)

en conform de volgende normen:

- EN 60335-1 : 02 (Household and Similar Electrical Appliances – Safety)
- EN 60335-2-41 : 03 (Particular Requirements for Pumps)

(SE) EG-FÖRSÄKRAN OM ÖVERENSSTÄMMELSE

Vi, **DAB Pumps S.p.A. - Via M.Polo, 14 – Mestrino (PD) – Italy**, försäkrar under eget ansvar att produkterna som denna försäkran avser är i överensstämmelse med följande direktiv:

- 2006/95/CE (Low Voltage Directive)
- 2004/108/CE (Electromagnetic Compatibility Directive)
- 97/23/CE (PED Directive)
- 2011/65/EU (Restriction of the use of certain hazardous substances in electrical and electronic equipment)

och följande standarder:

- EN 60335-1 : 02 (Household and Similar Electrical Appliances – Safety)
- EN 60335-2-41 : 03 (Particular Requirements for Pumps)

(FR) DÉCLARATION DE CONFORMITÉ CE

Nous, **DAB Pumps S.p.A. - Via M.Polo, 14 – Mestrino (PD) – Italy**, déclarons sous notre responsabilité exclusive que les produits auxquels cette déclaration se réfère sont conformes aux directives suivantes:

- 2006/95/CE (Low Voltage Directive)
- 2004/108/CE (Electromagnetic Compatibility Directive)
- 97/23/CE (PED Directive)
- 2011/65/EU (Restriction of the use of certain hazardous substances in electrical and electronic equipment)

ainsi qu'aux normes suivantes:

- EN 60335-1 : 02 (Household and Similar Electrical Appliances – Safety)
- EN 60335-2-41 : 03 (Particular Requirements for Pumps)

(DE) EG-KONFORMITÄTSERKLÄRUNG

Wir, **DAB Pumps S.p.A. - Via M.Polo, 14 – Mestrino (PD) – Italy**, erklären unter unserer ausschließlichen Verantwortlichkeit, dass die Produkte auf die sich diese Erklärung bezieht, den folgenden Richtlinien:

- 2006/95/CE (Low Voltage Directive)
- 2004/108/CE (Electromagnetic Compatibility Directive)
- 97/23/CE (PED Directive)
- 2011/65/EU (Restriction of the use of certain hazardous substances in electrical and electronic equipment)

sowie den folgenden Normen entsprechen:

- EN 60335-1 : 02 (Household and Similar Electrical Appliances – Safety)
- EN 60335-2-41 : 03 (Particular Requirements for Pumps)

(ES) DECLARACIÓN DE CONFORMIDAD CE

Nosotros, **DAB Pumps S.p.A. - Via M.Polo, 14 – Mestrino (PD) – Italy**, declaramos bajo nuestra exclusiva responsabilidad que los productos a los que se refiere esta declaración son conformes con las directivas siguientes:

- 2006/95/CE (Low Voltage Directive)
- 2004/108/CE (Electromagnetic Compatibility Directive)
- 97/23/CE (PED Directive)
- 2011/65/EU (Restriction of the use of certain hazardous substances in electrical and electronic equipment)

y con las normas siguientes:

- EN 60335-1 : 02 (Household and Similar Electrical Appliances – Safety)
- EN 60335-2-41 : 03 (Particular Requirements for Pumps)

(TR) CE UYGUNLUK BEYANNAMESİ

Biz, **DAB Pumps S.p.A. - Via M.Polo, 14 – Mestrino (PD) – Italy**, Münhasır sorumluluğumuz altında olarak aşağıda belirtilen ve işbu beyannamenin ilişkin olduğu ürünlerin aşağıdaki direktiflere:

- 2006/95/CE (Low Voltage Directive)
- 2004/108/CE (Electromagnetic Compatibility Directive)
- 97/23/CE (PED Directive)
- 2011/65/EU (Restriction of the use of certain hazardous substances in electrical and electronic equipment)

ve aşağıdaki standartlara uygun olduklarını beyan ederiz:

- EN 60335-1 : 02 (Household and Similar Electrical Appliances – Safety)
 - EN 60335-2-41 : 03 (Particular Requirements for Pumps)
-

(RU) ЗАЯВЛЕНИЕ О СООТВЕТСТВИИ CE

Мы, **DAB Pumps S.p.A. - Via M.Polo, 14 – Mestrino (PD) – Italy**, заявляем под полную нашу ответственность, что изделия к которым относится данное заявление, отвечают требованиям следующих директив:

- 2006/95/CE (Low Voltage Directive)
- 2004/108/CE (Electromagnetic Compatibility Directive)
- 97/23/CE (PED Directive)
- 2011/65/EU (Restriction of the use of certain hazardous substances in electrical and electronic equipment)

и следующих нормативов:

- EN 60335-1 : 02 (Household and Similar Electrical Appliances – Safety)
- EN 60335-2-41 : 03 (Particular Requirements for Pumps)

(RO) DECLARAȚIE DE CONFORMITATE CE

Noi, **DAB Pumps S.p.A. - Via M.Polo, 14 – Mestrino (PD) – Italy**, declarăm sub exclusivă noastră responsabilitate că produsele la care se referă această declarație sunt conforme cu următoarele directive:

- 2006/95/CE (Low Voltage Directive)
- 2004/108/CE (Electromagnetic Compatibility Directive)
- 97/23/CE (PED Directive)
- 2011/65/EU (Restriction of the use of certain hazardous substances in electrical and electronic equipment)

și cu următoarele norme:

- EN 60335-1 : 02 (Household and Similar Electrical Appliances – Safety)
- EN 60335-2-41 : 03 (Particular Requirements for Pumps)

(GR) ΔΗΛΩΣΗ ΣΥΜΜΟΡΦΩΣΗΣ ΕΚ

Η εταιρεία, **DAB Pumps S.p.A. - Via M.Polo, 14 – Mestrino (PD) – Italy**, Δηλώνει υπεύθυνα πως τα προϊόντα στα οποία αναφέρεται η παρούσα δήλωση, συμμορφώνονται με τις προδιαγραφές των παρακάτω οδηγιών:

- 2006/95/CE (Low Voltage Directive)
- 2004/108/CE (Electromagnetic Compatibility Directive)
- 97/23/CE (PED Directive)
- 2011/65/EU (Restriction of the use of certain hazardous substances in electrical and electronic equipment)

και με τους παρακάτω κανονισμούς:

- EN 60335-1 : 02 (Household and Similar Electrical Appliances – Safety)
- EN 60335-2-41 : 03 (Particular Requirements for Pumps)

欧盟符合标准声明

我们, 即 **DAB Pumps S.p.A. – Via M.Polo, 14 – Mestrino (PD) – Italy**, 基于独立承担责任的原则在此声明本声明所涉及的这些产品符合以下指令:

- 2006/95/CE (Low Voltage Directive)
- 2004/108/CE (Electromagnetic Compatibility Directive)
- 97/23/CE (PED Directive)
- 2011/65/EU (Restriction of the use of certain hazardous substances in electrical and electronic equipment)

同时还符合以下标准:

- EN 60335-1 : 02 (Household and Similar Electrical Appliances – Safety)
- EN 60335-2-41 : 03 (Particular Requirements for Pumps)

(LT) ES ATITIKTIES DEKLARACIJA

Mes, **DAB Pumps S.p.A. - Via M.Polo, 14 – Mestrino (PD) – Italy**, atsakingai pareiškiame, kad produktai atitinka šių direktyvų reikalavimus:

- 2006/95/CE (Low Voltage Directive)
- 2004/108/CE (Electromagnetic Compatibility Directive)
- 97/23/CE (PED Directive)
- 2011/65/EU (Restriction of the use of certain hazardous substances in electrical and electronic equipment)

bei šių normų reikalavimus:

- EN 60335-1 : 02 (Household and Similar Electrical Appliances – Safety)
- EN 60335-2-41 : 03 (Particular Requirements for Pumps)

(PT) DECLARAÇÃO DE CONFORMIDADE CE

Nós, **DAB Pumps S.p.A. - Via M.Polo, 14 – Mestrino (PD) – Italy**, declaramos sob nossa exclusivă responsabilidade que os produtos aos quais esta declaração diz respeito, estão em conformidade com as seguintes directivas:

- 2006/95/CE (Low Voltage Directive)
- 2004/108/CE (Electromagnetic Compatibility Directive)
- 97/23/CE (PED Directive)
- 2011/65/EU (Restriction of the use of certain hazardous substances in electrical and electronic equipment)

e com as seguintes normas:

- EN 60335-1 : 02 (Household and Similar Electrical Appliances – Safety)
- EN 60335-2-41 : 03 (Particular Requirements for Pumps)

شهادة مطابقة أوروبية (CE)

نحن

DAB Pumps S.p.A. – Via M.Polo, 14 – Mestrino (PD) – Italy

نصرّح تحت مسؤوليتنا الخاصة بأن المنتجات

التي إليها توحى هذه الشهادة مطابقة للأنظمة التالية:

2006/95/CE (Low Voltage Directive)

2004/108/CE (Electromagnetic Compatibility Directive)

97/23/CE (PED Directive)

2011/65/EU (Restriction of the use of certain hazardous substances in electrical and electronic equipment)

وللأنظمة التالية:

EN 60335-1 : 02 (Household and Similar Electrical Appliances Safety)

EN 60335-2-41 : 03 (Particular Requirements for Pumps)

(CZ) PROHLÁŠENÍ O SHODĚ CE

My, **DAB Pumps S.p.A. - Via M.Polo, 14 – Mestrino (PD) – Italy**, prohlašujeme na svou zodpovědnost, že výrobky, na které toho prohlášení platí, jsou ve shodě s následujícími směrnici:

- 2006/95/CE (Low Voltage Directive)
- 2004/108/CE (Electromagnetic Compatibility Directive)
- 97/23/CE (PED Directive)
- 2011/65/EU (Restriction of the use of certain hazardous substances in electrical and electronic equipment)

A s následujícími normami:

- EN 60335-1 : 02 (Household and Similar Electrical Appliances – Safety)
- EN 60335-2-41 : 03 (Particular Requirements for Pumps)

(FI) EY-VAATIMUSTENMUKAISUUSVAKUUTUS

Me, **DAB Pumps S.p.A. - Via M.Polo, 14 – Mestrino (PD) – Italy**,
vakuutamme ottaen täyden vastuun, että tuotteet joita tämä vakuutus
koskee, ovat seuraavien direktiivien:

- **2006/95/CE (Low Voltage Directive)**
- **2004/108/CE (Electromagnetic Compatibility Directive)**
- **97/23/CE (PED Directive)**
- **2011/65/EU (Restriction of the use of certain hazardous substances in electrical and electronic equipment)**

ja seuraavien standardien mukaisia:

- **EN 60335-1 : 02 (Household and Similar Electrical Appliances – Safety)**
EN 60335-2-41 : 03 (Particular Requirements for Pumps)

Mestrino (PD), 01/01/2013



Francesco Sinico
Technical Director

ITALIANO	pag	01
FRANÇAIS	page	08
ENGLISH	page	15
DEUTSCH	Seite	22
NEDERLANDS	bladz	29
ESPAÑOL	pág	36
SVENSKA	sid	43
TÜRKÇE	sayfa	49
РУССКИЙ	стр.	56
LIETUVIŠKAI	psl.	63
ROMANA	pag.	69
PORTUGUÊS	pág.	75
ΕΛΛΗΝΙΚΑ	σελ.	81
	عربي صفحة 88	
中文	页码	94
ČESKY	strana	99
SUOMI	sivu	105

	page
TABLE DES MATIÈRES	
1. GÉNÉRALITÉS	8
2. APPLICATIONS	8
3. LIQUIDES POMPES	8
4. CARACTÉRISTIQUES TECHNIQUES ET LIMITES D'UTILISATION	9
5. GESTION	10
5.1. Stockage	10
5.2. Transport	10
5.3. Poids	10
6. AVERTISSEMENTS	10
6.1. Personnel spécialisé	10
6.2. Sécurité	11
6.3. Contrôle rotation arbre moteur	11
6.4. Responsabilités	11
7. INSTALLATION	11
8. BRANCHEMENT ÉLECTRIQUE	11
9. MISE EN MARCHE	12
10. PRÉCAUTIONS	12
11. MAINTENANCE ET LAVAGE	12
12. MODIFICATIONS ET PIÈCES DE RECHANGE	12
12.1. Enlèvement et remplacement du câble	12
13. IDENTIFICATION DES INCONVÉNIENTS ET REMÈDES	14
1. GÉNÉRALITÉS	



Avant de procéder à l'installation, lire attentivement cette documentation. L'installation et le fonctionnement devront être conformes à la réglementation de sécurité en vigueur dans le pays d'installation du produit. Toute l'opération devra être effectuée dans les règles de l'art. Le non respect des normes de sécurité, en plus de créer un risque pour les personnes et d'endommager les appareils, fera perdre tout droit d'intervention sous garantie.

2. APPLICATIONS

KP 38/18 - KP 38/18 pred. - KP 60/6 - KP 60/12: Pompe de type périphérique adaptée à un usage domestique, avec des encombrements limités et capable de produire des hauteurs manométriques élevées pour alimentation en eau, petit jardinage, vidage et remplissage de citernes. Elle est en mesure également d'assurer des applications industrielles de petite entité.

KPA 40/20: pompe à anneau latéral avec roue étoilée, caractérisée par d'excellentes capacités d'aspiration même en présence de bulles d'air et quand la disponibilité de liquide en aspiration est discontinue. Employée en particulier pour l'alimentation en eau d'installations domestiques, pour augmenter la pression ou pour stabiliser l'approvisionnement en eau (en observant les normes locales), pour l'aspiration à partir de forages. Adaptée pour les petits arrosages de potagers et de jardins en général et dans tous les applications nécessitant l'auto-amarçage. Modèle en mesure de satisfaire également de petits emplois industriels.

JET 200 - JET 300 - JET 151 - JET 251: pompes centrifuges auto-amorçables à jet avec une excellente capacité d'aspiration même en présence d'eau gazeuse. Particulièrement indiquée pour l'alimentation en eau et la surpression d'habitations rurales. Indiquées pour l'arrosage de potagers et de jardins, les urgences domestiques et les services industriels.

DP 81 - DP 82 - DP 100 - DP 102 - DP 151 - DP 251 - AQUADP 82/20 - AQUADP 102/20 - AQUADP 151/40 - AQUADP 251/40: pompes centrifuges auto-amorçables pour aspirations profondes jusqu'à 30 mètres avec éjecteur à introduire dans des forages de 4" ou plus. Employée pour l'alimentation en eau de maisons rurales et pour la petite agriculture.

EURO - EUROINOX et dérivées: pompe centrifuge multicellulaire auto-amorçable à axe horizontal adaptée à des usages domestiques ou industriels pour installations hydrauliques d'approvisionnement et de surpression. En agriculture, elle convient pour les petites irrigations et le lavage d'outils et de machines. Ces modèles peuvent fonctionner également avec de l'eau gazeuse. Le recyclage de l'eau s'effectue seulement en phase d'amarçage puis le débit maximum est rendu disponible pour l'utilisation avec une sortie constante. Ces qualités permettent de nombreux types d'application.

K 20/41 - K 30/70 - K 30/100 - K 36/100 - K 12/200 - K 14/400: pompes centrifuges à une roue indiquées pour le relevage d'eau à usage domestique, industriel et agricole. Idéales pour les opérations de transfert et de mélange.

K 35/40 - K 45/50 - K 55/50 - K 35/100 - K 40/100: pompes centrifuges caractérisées par l'emploi de deux roues (opposées pour les modèles K 35/40 - K 45/50 - K 55/50) et par un fonctionnement extrêmement silencieux. Particulièrement indiquées pour réaliser des groupes de surpression pour installations hydrauliques et alimentation d'autoclaves. Indiquées également pour l'irrigation goutte à goutte et de nombreuses autres utilisations dans les domaines d'applications les plus variés.

3. LIQUIDES POMPES



La machine est projetée et construite pour pomper de l'eau, privée de substances explosives et de particules solides ou fibres, avec une densité égale à 1000 kg/m³ et une viscosité cinématique d'1 mm²/s, et des liquides non agressifs sur le plan chimique.

4. CARACTÉRISTIQUES TECHNIQUES ET LIMITES D'UTILISATION

- **Tension d'alimentation :** 220 - 240V 50Hz / 110V 50Hz
115V 60Hz / 230V 60Hz
230 V3 – 400 V3 50/60Hz | voir plaquette des données électriques
- **Puissance absorbée :** voir plaquette des données électriques
- **Débit:** de 0,06 à 37 m³/h
- **Hauteur d'élévation – Hmax (m):** page 112
- **Liquide pompé:** propre sans corps solides ou abrasifs, non agressif
- **Degré de protection moteur:** IP44 (Pour IP55 voir plaquette sur l'emballage)
- **Degré de protection porte-bornes:** IP55
- **Classe du moteur :** F
- **Serre-câbles:** PG 11 e/o PG 13,5 selon les modèles
- **Fusibles de ligne classe AM:**

Modèle	Fusibles de ligne(Ampere)			
	110V 50Hz 115V 60Hz	220-240V 50Hz 230V 60Hz	230 V3 50/60Hz	400 V3 50/60Hz
KP 38/18, KP 38/18 Pred., KP 60/6, DP 81, DP 82, AQUADP 82/20 K 20/41	8	4	4	2
KPA 40/20	8	6	4	2
KP 60/12	- -	6	4	4
EURO 40/30-40/306 / 30/50-30/506 / 25/80-25/806 EUROINOX 40/30-40/306 / 30/50-30/506 / 25/80-25/806 EUROCOM 25/80-25/806 / 30/50-30/506 EUROCOM SP 30/50-30/506	10	6	4	4
EURO 25-30/25/306 / 30/30-30/306 EUROINOX 25/30-25/306 / 30/30-30/306 EUROCOM 25/30-25/306 / 30/30-30/306 GARDEN-INOX 30/30	8	4	4	4
EURO 40/50-40/506 / 30/80-30/806 EUROINOX 40/50-40/506 / 30/80-30/806 EUROCOM 40/50-40/506 / 30/80-30/806 EUROCOM SP 40/50-40/506 GARDEN-INOX 40/50	12	6	6	4
EURO 50/50-50/506 / 40/80-40/806 EUROINOX 50/50-50/506 / 40/80-40/806	20	8	6	4
K 12/200, K 30/70, K 35/40, DP100, DP 102, AQUADP 102/20, KE 35/40	12	6	6	4
K 30/100	16	8	6	4
JET 151, K 35/100	20	10	6	4
K 40/100, K 36/100, K45/50, DP 151, AQUADP 151/40, KE 45/50	20	10	8	4
JET 200, K 14/400	20	10	8	6
JET 251	25	12	8	6
JET 300, K 55/50, DP 251, AQUADP 251/40, KE 55/50	32	16	10	6
Pression de service maximum:	6 bar (600 kPa):	DP 81, DP 82, DP 100, DP 102, AQUADP 82/20, AQUADP 102/20 EURO, EUROINOX, EUROCOM, EUROCOM SP, GARDEN-INOX K 35/40, K 35/100, K 40/100, K 20/41, K 30/70, K 30/100, KE 35/40 K 36/100, K 12/200, K 14/400		
	7,5 bar (750 kPa):	JET 151, JET 251, JET 200, JET 300 DP 151, DP 251, AQUADP 151/40, AQUADP 251/40		
	8 bar (800 kPa):	K 45/50, K 55/50, KE 45/50, KE 55/50		
	10 bar (1000 kPa):	KP 60/6, KP 60/12, KP 38/18 KPA 40/20		
Température maximum du liquide:	0 ÷ +35°C:	Pour toutes les pompes homologuées EN 60335-2-41 (usage domestique)		
	0 ÷ +40°C:	JET 151, JET 251, JET 200, JET 300 DP 81, DP 100, DP 102, DP 151, DP 251 AQUADP 82/20, AQUADP 102/20, AQUADP 151/40, AQUADP 251/40		
	-10 ÷ +50°C:	K 20/41, K 30/70, K 30/100, K 36/100, K 12/200, K 35/40, K 45/50, K 35/100, K 40/100 KP 38/18, KE 35/40, KE 45/50		
	-10 ÷ +80°C:	KP 60/6, KP 60/12 KPA 40/20		
	-15 ÷ +110°C:	K 14/400, K 55/50, KE 55/50		

- **Température de magasinage :** -10°C +40°C
- **Humidité relative de l'air:** MAX 95%
- **Niveau de bruit :**
 - Pour les pompes prévues pour usage à l'extérieur: niveau sonore conforme à la Directive 2000/14/CE.
 - Pour les autres pompes: niveau sonore conforme à la Directive EC 89/392/CEE et modifications successives.
- **Moteurs construits selon les normes CEI 2 - 3 - CEI 61-69 (EN 60335-2-41)**
- **Les conducteurs des câbles d'alimentation doivent avoir une section nominale non inférieure à celle indiquée dans le tableau ci-après :**

Courant nominal de l'appareil A	Section nominale mm ²
≤ 0,2	Câbles souples à fil rosette ^a
> 0,2 et ≤ 3	
> 3 et ≤ 6	
> 6 et ≤ 10	
> 10 et ≤ 16	
> 16 et ≤ 25	
> 25 et ≤ 32	
> 32 et ≤ 40	
> 40 et ≤ 63	
^a Ces câbles ne peuvent être utilisés que si leur longueur ne dépasse pas 2 m entre le point où le câble ou sa protection entre dans l'appareil et l'entrée dans la fiche. ^b Les câbles possédant les sections indiquées entre parenthèses peuvent être utilisés pour les appareils mobiles si leur longueur ne dépasse pas 2 m.	

5. GESTION

5.1 Stockage

Toutes les pompes doivent être stockées dans un endroit couvert, sec et avec une humidité de l'air constante si possible, sans vibrations et non poussiéreux.

Elles sont fournies dans leur emballage d'origine dans lequel elles doivent rester jusqu'au moment de l'installation. En cas contraire, veiller à boucher soigneusement les orifices d'aspiration et de refoulement.

5.2 Transport

Eviter de soumettre les produits à des chocs inutiles et à des collisions.

Pour le levage et le transport du groupe, se servir de chariots élévateurs en utilisant la palette fournie de série (si elle est prévue).

5.3 Poids

L'étiquette adhésive située sur l'emballage indique le poids total de l'électropompe.

6. AVERTISSEMENTS

6.1 Personnel spécialisé



Il est conseillé de confier l'installation à du personnel spécialisé et qualifié, possédant les caractéristiques requises par les normes spécifiques en la matière.

Par personnel qualifié, on désigne les personnes qui de par leur formation, leur expérience, leur instruction et leur connaissance des normes, des prescriptions, des mesures de prévention des accidents et des conditions de service, ont été autorisées par le responsable de la sécurité de l'installation à effectuer n'importe quelle activité nécessaire et durant celle-ci sont en mesure de connaître et d'éviter tout risque. (Définition pour le personnel technique IEC 364)

L'appareil n'est pas destiné à être utilisé par des personnes (enfants compris) dont les capacités physiques, sensorielles et mentales sont réduites, ou manquant d'expérience ou de connaissance, à moins qu'elles aient pu bénéficier, à travers l'intervention d'une personne responsable de leur sécurité, d'une surveillance ou d'instructions concernant l'utilisation de l'appareil. Il faut surveiller les enfants pour s'assurer qu'ils ne jouent pas avec l'appareil. (EN 60335-1 : 02)

6.2 Sécurité

L'utilisation est autorisée seulement si l'installation électrique possède les caractéristiques de sécurité requises par les Normes en vigueur dans le pays d'installation du produit (pour l'Italie CEI 64/2).

6.3 Contrôle rotation arbre moteur

Avant d'installer la pompe, il faut contrôler que les parties en mouvement tournent librement. Dans ce but enlever la protection ventilateur de l'emplacement du couvercle arrière du moteur; agir avec un tournevis dans la fente prévue à cet effet sur l'arbre moteur, côté ventilation. **En cas de blocage**, tourner le tournevis en frappant légèrement sur celui-ci avec un marteau. **Fig. A**

6.4 Responsabilités



Le constructeur ne répond pas du bon fonctionnement des électropompes ou d'éventuels dommages provoqués par les pompes si celles-ci sont manipulées, modifiées et/ou utilisées hors des limites de travail conseillées ou sans respecter les autres dispositions contenues dans ce manuel.

Il décline en outre toute responsabilité pour les éventuelles inexactitudes contenues dans ce manuel d'instructions si elles sont dues à des erreurs d'impression ou de transcription. Il se réserve le droit d'apporter aux produits les modifications qu'il estimera nécessaires ou utiles, sans en compromettre les caractéristiques essentielles.

7. INSTALLATION



Les pompes peuvent contenir des petites quantités d'eau résiduelle provenant des essais de fonctionnement.

Nous conseillons de les laver rapidement avec de l'eau propre avant l'installation définitive.

- 7.1 L'électropompe doit être installée dans un lieu bien aéré, protégé contre les intempéries et avec une température ambiante ne dépassant pas 40°C. **Fig. B**
- 7.2 Un solide ancrage de la pompe à la base d'appui favorise l'absorption d'éventuelles vibrations créées par le fonctionnement de la pompe. **Fig. C**
- 7.3 Eviter que les tuyauteries métalliques transmettent des efforts excessifs aux brides de la pompe pour ne pas créer de déformations ou de ruptures. **Fig. C**
- 7.4 Il est toujours conseillé de positionner la pompe le plus près possible du liquide à pomper. La pompe doit être installée exclusivement en position horizontale. Les tuyauteries ne doivent jamais être de diamètre interne inférieur à celui des brides de l'électropompe et en aspiration, il est conseillé d'installer un clapet de pied. **Fig D** Pour des profondeurs d'aspiration dépassant les quatre mètres ou avec de longs parcours à l'horizontale, il est conseillé d'utiliser un tuyau d'aspiration d'un diamètre supérieur à celui de la bride aspirante de l'électropompe. Pour éviter la formation de poches d'air dans le tuyau d'aspiration, prévoir une légère pente positive du tuyau d'aspiration vers l'électropompe. **Fig. D**
- 7.5 Si le tuyau d'aspiration est en caoutchouc ou en matériau flexible, contrôler toujours qu'il est bien de type renforcé pour éviter les étranglements par effet de l'aspiration.
- 7.6 Dans toutes les pompes prévues pour la version portable la poignée pour le soulèvement et le transport **doit toujours être présente et bien fixée au support.**
- 7.7 **Pour les installations destinées à être utilisées dans les fontaines pour usage extérieur, dans les bassins de jardin et dans des endroits similaires, la pompe doit être alimentée au moyen d'un circuit muni d'un dispositif de protection différentielle avec courant nominal de déclenchement ne dépassant pas 30 mA.**

8. BRANCHEMENT ÉLECTRIQUE:

Attention: respecter toujours les normes de sécurité!



Respecter rigoureusement les schémas électriques se trouvant à l'intérieur de la boîte à bornes

- 8.1 **L'installation électrique doit être exécutée par un électricien expérimenté et autorisé, s'assurant toutes les responsabilités de son travail.**
- 8.2 S'assurer que la tension de secteur correspond à celle de la plaque du moteur à alimenter et qu'il est possible **D'EFFECTUER UNE MISE À LA TERRE EFFICACE (Fig E)**, en particulier, la borne de terre doit être connectée au conducteur jaune/vert du câble d'alimentation. De plus, il faut utiliser un conducteur de terre plus long que les conducteurs de phase pour éviter qu'il se déconnecte en premier en cas de traction
- 8.3 Dans les installations fixes, les Normes Internationales prévoient l'emploi d'interrupteurs disjoncteurs avec base porte-fusibles.

- 8.4 Les moteurs monophasés sont munis de protection thermique ampèremétrique incorporée et peuvent être raccordés directement au secteur. Les moteurs triphasés doivent être protégés à l'aide d'un interrupteur automatique (ex. magnétothermique) étalonné suivant les données de plaque de l'électropompe ou de fusibles du calibre indiqué au chapitre 4.

9. MISE EN MARCHÉ

9.1



Ne pas mettre la pompe en marche sans l'avoir préalablement complètement remplie de liquide.

Avant la mise en marche, contrôler que la pompe est régulièrement amorcée en effectuant son remplissage, avec de l'eau propre, à travers le trou prévu à cet effet sur le corps pompe, après avoir enlevé le bouchon de remplissage. Cette opération est fondamentale pour le parfait fonctionnement de la pompe et indispensable pour que le joint d'étanchéité mécanique soit bien lubrifié (**Fig. F**). **Le fonctionnement à sec provoque des dommages irréparables au joint d'étanchéité mécanique.** Le bouchon de remplissage devra être revissé soigneusement une fois l'opération terminée.

- 9.2 Donner la tension et contrôler, pour la version triphasée, le bon sens de rotation correspondant au sens des aiguilles d'une montre avec le moteur vu du côté ventilateur Fig. G. En cas contraire, intervertir deux conducteurs de phase, après avoir débranché électriquement la pompe.

10. PRÉCAUTIONS

- 10.1 L'électropompe ne doit pas être soumise à plus de 20 démarrages horaires de manière à ne pas exposer le moteur à des sollicitations thermiques excessives.

- 10.2 **DANGER DE GEL** : quand la pompe reste inactive pendant longtemps à une température inférieure à 0°C, il faut procéder à la vidange totale du corps de la pompe à travers le bouchon de vidange Fig. H, pour éviter d'endommager les composants hydrauliques. Cette opération est conseillée également en cas d'inactivité prolongée à une température normale.

- 10.3 Pour mettre en marche la pompe après une longue inactivité, il faut répéter les opérations décrites ci-dessus

11. MAINTENANCE ET LAVAGE



L'électropompe, lors du fonctionnement normal, n'a besoin d'aucun type de maintenance. Il peut être nécessaire toutefois de laver les parties hydrauliques quand on constate une certaine réduction des caractéristiques. **L'électropompe ne peut être démontée que par du personnel spécialisé et qualifié en possession des caractéristiques requises par les normes spécifiques en la matière.** Dans tous les cas, toutes les interventions de réparation et de maintenance doivent être effectuées seulement après avoir débranché la pompe.

12. MODIFICATIONS ET PIÈCES DE RECHANGE



Le Constructeur décline toute responsabilité en cas de modification non autorisée au préalable. Toutes les pièces de rechange utilisées dans les réparations doivent être originales et tous les accessoires doivent être autorisés par le constructeur, de manière à pouvoir garantir la sécurité maximum des machines et des installations dans lesquelles les pompes sont montées.



En cas d'endommagement du câble d'alimentation de cet appareil, la réparation doit être effectuée par du personnel spécialisé pour prévenir tout risque d'accident.

12.1 Enlèvement et remplacement du câble

Avant de procéder, contrôler que l'électropompe n'est pas raccordée au secteur.

A) Pour version sans pressostat

Enlever le couvercle de la boîte à bornes en dévissant les quatre vis qui s'y trouvent. Dévisser les bornes L - N - \ominus et extraire le fil marron, le fil bleu et le fil jaune-vert, provenant du câble d'alimentation, après avoir desserré le serre-câble.

B) Version avec pressostat type SQUARE D

- **Partie du câble du pressostat à la prise**: dévisser la vis du couvercle du pressostat à l'aide d'un tournevis et enlever le couvercle. Extraire le fil jaune-vert en dévissant la vis de terre, le fil bleu et le fil marron des bornes latérales respectives en desserrant les vis. Dévisser les vis du serre-câble et extraire le câble ainsi libéré.

-
- **Partie du câble du pressostat à la boîte à bornes:** dévisser la vis du couvercle pressostat à l'aide d'un tournevis et enlever le couvercle. Extraire le fil jaune-vert en dévissant la borne de terre, le fil bleu et le fil marron des bornes centrales respectives en desserrant les vis. Dévisser la vis du serre-câble et extraire le câble ainsi libéré. Enlever le couvercle de la boîte à bornes en dévissant les quatre vis qui s'y trouvent. Dévisser les bornes L - N - \oplus et extraire le fil marron, le fil bleu et le fil jaune-vert, provenant du pressostat, après avoir desserré le serre-câble.

C) Version avec pressostat type:

TELEMECANIQUE / SQUARE D – TELEMECANIQUE / ITALTECNICA:

- **Partie du câble du pressostat à la prise:** dévisser la vis du couvercle du pressostat à l'aide d'un tournevis et enlever le couvercle en le décrochant de la base du pressostat. Extraire le fil jaune-vert en dévissant la borne de terre côté gauche et du même côté, le fil bleu et le fil marron des bornes respectives en desserrant les vis. Dévisser les vis du serre-câble du pressostat côté gauche et extraire le câble ainsi libéré.
- **Partie du câble du pressostat à la boîte à bornes:** dévisser la vis du couvercle pressostat à l'aide d'un tournevis et enlever le couvercle en le décrochant de la base du pressostat. Extraire le fil jaune-vert en dévissant la vis de terre côté droit et, toujours du même côté, le fil bleu et le fil marron des bornes respectives en desserrant les vis. Dévisser la vis serre-câble du pressostat côté droit et extraire le câble ainsi libéré. Enlever le couvercle de la boîte à bornes en dévissant les quatre vis qui s'y trouvent. Dévisser les bornes L - N - \oplus et extraire le fil marron, le fil bleu et le fil jaune-vert, provenant du pressostat, après avoir desserré le serre-câble.

Le remplacement du câble d'alimentation doit être effectué en utilisant un câble du même type (par ex. H05 RN-F ou H07 RN-F selon l'installation) et ayant la même terminaison suivant l'ordre inverse au démontage.

ATTENTION: selon l'installation et en cas de pompes démunies de câbles, prévoir des câbles d'alimentation type H05 RN-F pour usage interne et type H07 RN-F pour usage externe, avec prise (EN 60335-2-41). Pour les câbles d'alimentation sans fiche, prévoir un dispositif disjoncteur (par ex. interrupteur magnétothermique) avec contacts de séparation d'au moins 3 mm pour chaque pôle.

13. IDENTIFICATION DES INCONVÉNIENTS ET REMÈDES

INCONVÉNIENTS	VÉRIFICATION (causes possibles)	REMEDES
1. Le moteur ne démarre pas et ne fait pas de bruit.	A. Vérifier les connexions électriques. B. Vérifier que le moteur est sous tension. C. Vérifier les fusibles de protection.	C. S'ils sont grillés, les remplacer. N.B.: la répétition immédiate éventuelle du problème signifie que le moteur est en court-circuit.
2. Le moteur ne démarre pas mais fait du bruit.	A. S'assurer que la tension du secteur correspond à celle de la plaque. B. Contrôler que les connexions ont été exécutées correctement. C. Vérifier la présence de toutes les phases dans la boîte à bornes (3 ~). D. Rechercher les raisons possibles d'un blocage de la pompe ou du moteur. E. Vérifier l'état du condensateur.	B. Corriger les éventuelles erreurs. C. Si ce n'est pas le cas, rétablir la phase manquante. D. Éliminer les obstructions. E. Remplacer le condensateur.
3. La pompe tourne avec difficulté.	A. S'assurer que la tension d'alimentation est suffisante. B. Vérifier les frottements entre parties mobiles et parties fixes.	B. Éliminer la cause du frottement.
4. La pompe ne refoule pas.	A. La pompe n'a pas été amorcée correctement. B. Vérifier le bon sens de rotation dans les moteurs triphasés. C. Tuyau d'aspiration avec diamètre insuffisant. D. Clapet de pied bouché.	A. Remplir d'eau la pompe et le tuyau d'aspiration si elle n'est pas auto-amorçable et effectuer l'amorçage. B. Intervertir deux conducteurs. C. Remplacer le tuyau avec un autre de diamètre supérieur. D. Nettoyer le clapet de pied.
5. La pompe ne s'amorce pas.	A. Le tuyau d'aspiration ou le clapet de pied aspirent de l'air. B. La pente négative du tuyau d'aspiration favorise la formation de poches d'air.	A. Éliminer le phénomène et répéter l'opération d'amorçage. B. Corriger l'inclinaison du tuyau d'aspiration.
6. La pompe refoule à un débit insuffisant.	A. Le clapet de pied est bouché. B. La roue est usée ou bouchée. C. Tuyau d'aspiration avec diamètre insuffisant. D. Vérifier le bon sens de rotation dans les moteurs triphasés.	A. Nettoyer le clapet de pied. B. Éliminer les obstructions et remplacer les pièces usées. C. Remplacer le tuyau avec un autre de diamètre supérieur. D. Intervertir deux conducteurs.
7. La pompe vibre et a un fonctionnement bruyant.	A. Vérifier que la pompe et les tuyaux sont bien fixés. B. Il y a cavitation dans la pompe, c'est-à-dire que la demande d'eau dépasse ce que la pompe parvient à pomper. C. La pompe fonctionne au-delà des limites indiquées sur la plaque.	A. Fixer avec plus de soin les parties desserrées. B. Réduire la hauteur d'aspiration ou contrôler les pertes de charge. C. Il peut être utile de limiter le débit en refoulement.

	INHOUDSOPGAVE	bladz
1.	ALGEMEEN	29
2.	TOEPASSINGEN	29
3.	GEPOMPTE VLOEISTOFFEN	29
4.	TECHNISCHE KENMERKEN EN GEBRUIKSBEPERKINGEN	30
5.	BEHEER	31
5.1.	Opslag	31
5.2.	Transport	31
5.3.	Afmetingen en gewicht	31
6.	WAARSCHUWINGEN	31
6.1.	Gespecialiseerd personeel	31
6.2.	Veiligheid	32
6.3.	Controle draaiïng motoras	32
6.4.	Verantwoordelijkheid	32
7.	INSTALLATIE	32
8.	ELECTRISCHE AANSLUITING	32
9.	OPSTARTEN	33
10.	VOORZORGSMAATREGELEN	33
11.	ONDERHOUD EN REINIGING	33
12.	VERANDERINGEN EN RESERVE-ONDERDELEN	33
12.1	VERPLAATSING EN WISSELING VOEDINGSKABEL	34
13.	STORINGZOEKEN EN OPLOSSINGEN	35

1. ALGEMEEN



Grondig deze documentatie doorlezen alvorens te installeren. De installatie en functionering zullen volgens de veiligheids normen van kracht zijn in het land van bestemming. De hele handeling zal volgens voorschriften moeten gebeuren. Het niet nakomen van de veiligheids normen zal, behalve een gevaar vormen voor de mensen en schade aan de apparaten verrichten, ook alle rechten op garantie toepassingen doen vervallen .

2. TOEPASSINGEN

KP 38/18 - KP 38/18 voorgebouwd - KP 60/6 - KP 60/12: pomp van perifere soort voor huishoudelijk gebruik geschikt, met beperkte afmetingen en in staat om hoge overwichten voor te brengen op water toevoer, kleine tuiniering, lediging en vulling reservoirs. Ook in staat om kleine industriële systemen in hun onderhoud te voorzien.

KPA 40/20: pomp met vloistofring met sterrad, met uitstekende zuigvermogens ook in aanwezigheid van luchtbellen of als de vloeistof onregelmatig voorhanden is bij het opzuigen. In het bijzonder gebruikt voor de watertoevoer van huisleidingen, om de druk te verhogen of om de watertoevoer te stabiliseren (onder in acht neming van de plaatselijke voorschriften), voor het opzuigen uit putten. Geschikt voor de kleine irrigatie van (moes) tuinen en in het algemeen voor al die toepassingen, waar zelfinschakeling verlangd wordt. Ook in staat in kleine industriële toepassingen te voldoen.

JET 200 - JET 300 - JET 151 - JET 251: centrifugaal zelfvissende sproei pompen met uitstekende opzuigings vermogen ook bij water met gasaanwezigheid. Bijzonder geschikt voor waterdruk en toevoer aan oude landhuizen. Goed toe te passen voor landbouw van kleine moestuinen en tuiniering, huishoudelijk noodgevallen en industriële diensten.

DP 81 - DP 82 - DP 100 - DP 102 - DP 151 - DP 251 - AQUADP 82/20 - AQUADP 102/20 - AQUADP 151/40 - AQUADP 251/40: centrifugaal zelfvissende pompen voor diepe opzuiging tot 30 meter met sproeier voor de toepassingen in putten van 4" of meer. Toegepast voor de water toevoer aan landbouw woningen en kleinschalige landbouw.

EURO - EUROINOX EN AFGELEIDE: meerdere stadias zelfvissende centrifugaal pomp op horizontale as geschikt voor huishoudelijk of industriële toepassingen voor installaties van water toevoer en druk. Voor de landbouw is dit te gebruiken voor kleine bevoeiingen en het reinigen van gereedschap en machines. Ook geschikt voor de functionering in water met aanwezigheid van gas. Het weer in omloop krijgen van water geschiedt alleen tijdens de vissende fase, nadien wordt het maximale vermogen beschikbaar gesteld voor gebruik met continu en constante toevoer. Deze kenmerken maken een brede toepassing mogelijk.

K 20/41 - K 30/70 - K 30/100 - K 36/100 - K 12/200 - K14/400: centrifugaal enkeldraaiende pompen geschikt voor het water optillen op huishoudelijk, industrieel en landbouw gebied. Uitstekend voor toepassing van het overgieten en mixing.

K 35/40 - K 45/50 - K55/50 - K35/100 - K40/100: centrifugaal pompen gekenmerkt door toepassing van twee draaiers (tegenover gesteld voor de modellen k 35/40 - k45/50 - k55/50) en geluidsarme functionering.

Bijzonder geschikt voor het in stand brengen van druk groepen voor water installaties en toevoer aan autoclaven. Ook toe te passen voor regen bevoeiing en vele andere toepassingen in verschillende sectoren.

3. GEPOMPTE VLOEISTOFFEN



De machine is voorbedacht en gebouwd om water op te pompen zonder explosieve, vaste of stoffige onderdelen, met verdichting gelijk op 1000 kg/m³ en een cinematische vloeibaarheidsdikte gelijk op 1mm²/s en vloeistoffen niet chemisch aggressief.

4. TECHNISCHE KENMERKEN EN GEBRUIKSBEPERKINGEN

- **Spannings toevoer:** 220 - 240V 50Hz
110V 50Hz
115V 60Hz
230V 60Hz
230 V3 – 400 V3 50/60Hz
- **Absorbtie vermogen:** zie plaatje elektrische gegevens
- **Vermogen** vanaf 0,06 tot 37m³/h
- **Overwicht – Hmax (m):** bladz 112
- **Op gepompte vloeistof :** schoon,zonder vaste of schurende stoffen,niet aggressief
- **B eschermings graad motor:** IP44 (Voor IP55 zie naamplaatje op verpakking)
- **Beschermings graad klemmetjes:** IP55
- **Beschermings klasse:** F
- **Kabeldrukker:** PG 11 en/of PG 13,5 volgens modellen
- **Lijnzekeringen klasse AM:**

zie plaatje elektrische gegevens

Model	Lijnzekeringen (Ampere)			
	110V 50Hz 115V 60Hz	220-240V 50Hz 230V 60Hz	230 V3 50/60Hz	400 V3 50/60Hz
KP 38/18, KP 38/18 Pred., KP 60/6, DP 81, DP 82, AQUADP 82/20 K 20/41	8	4	4	2
KPA 40/20	8	6	4	2
KP 60/12	--	6	4	4
EURO 40/30-40/306 / 30/50-30/506 / 25/80-25/806 EUROINOX 40/30-40/306 / 30/50-30/506 / 25/80-25/806 EUROCOM 25/80-25/806 / 30/50-30/506 EUROCOM SP 30/50-30/506	10	6	4	4
EURO 25/30-25/306 / 30/30-30/306 EUROINOX 25/30-25/306 / 30/30-30/306 EUROCOM 25/30-25/306 / 30/30-30/306 GARDEN-INOX 30/30	8	4	4	4
EURO 40/50-40/506 / 30/80-30/806 EUROINOX 40/50-40/506 / 30/80-30/806 EUROCOM 40/50-40/506 / 30/80-30/806 EUROCOM SP 40/50-40/506 GARDEN-INOX 40/50	12	6	6	4
EURO 50/50-50/506 / 40/80-40/806 EUROINOX 50/50-50/506 / 40/80-40/806	20	8	6	4
K 12/200, K 30/70, K 35/40, DP 100, DP 102, AQUADP 102/20, KE 35/40	12	6	6	4
K 30/100	16	8	6	4
JET 151, K 35/100	20	10	6	4
K 40/100, K 36/100, K 45/50, DP 151, AQUADP 151/40, KE 45/50	20	10	8	4
JET 200, K 14/400	20	10	8	6
JET 251	25	12	8	6
JET 300, K 55/50, DP 251, AQUADP 251/40, KE 55/50	32	16	10	6
Maximale werkdruk:	6 bar (600 kPa):	DP 81, DP 82, DP 100, DP 102 AQUADP 82/20, AQUADP 102/20 EURO, EUROINOX, EUROCOM, EUROCOM SP, GARDEN-INOX K 35/40, K 35/100, K 40/100, K 20/41, K 30/70, K 30/100, K 36/100, K 12/200, K 14/400, KE 35/40		
	7,5 bar (750 kPa):	JET 151, JET 251, JET 200, JET 300 DP 151, DP 251, AQUADP 151/40, AQUADP 251/40		
	8 bar (800 kPa):	K 45/50, K 55/50, KE 45/50, KE 55/50		
	10 bar (1000 kPa):	KP 60/6, KP 60/12, KP 38/18 KPA 40/20		
Maximale vloeistof temperatuur:	0 ÷ +35°C:	Voor alle gehomologeerde elektropompen. EN 60335-2-41 (huishoudelijk gebruik)		
	0 ÷ +40°C:	JET 151, JET 251, JET 200, JET 300 DP 81, DP 82, DP 100, DP 102, DP 151, DP 251 AQUADP 82/20, AQUADP 102/20, AQUADP 151/40, AQUADP 251/40		
	-10 ÷ +50°C:	K 20/41, K 30/70, K 30/100, K 36/100, K 12/200, K 35/40, K 45/50, K 35/100, K 40/100, KP 38/18, KE 35/40, KE 45/50		
	-10 ÷ +80°C:	KP 60/6, KP 60/12 KPA 40/20		
	-15 ÷ +110°C:	K 14/400, K 55/50, KE 55/50		

- **Bewarings temperatuur:** -10°C + 40°C
- **Relatieve luchtvochtigheid:** MAX 95%
- **Geluid:**
 - Voor pompen die bestemd zijn voor gebruik buitenshuis: geluidsniveau volgens de richtlijn 2000/14/EG.
 - Voor de overige pompen: geluidsniveau volgens de richtlijn EG 89/392/CEE en successievelijke wijzigingen.
- **Constructie van de motoren volgens normen CEI 2-3 - CEI 61-69 (EN 60335-2-41).**
- **De geleiders van de voedingskabels moeten een nominale doorsnede hebben die niet kleiner is dan in de volgende tabel wordt vermeld:**

Nominale stroom van het apparaat A			Nominale doorsnede mm ²
		≤ 0,2	Tinselsnoeren ^a
> 0,2	en	≤ 3	0,5 ^a
> 3	en	≤ 6	0,75
> 6	en	≤ 10	1,0 (0,75) ^b
> 10	en	≤ 16	1,5 (1,0) ^b
> 16	en	≤ 25	2,5
> 25	en	≤ 32	4
> 32	en	≤ 40	6
> 40	en	≤ 63	10
<p>^a Deze kabels mogen alleen worden gebruikt als de lengte tussen het punt waarop de kabel of zijn bescherming het apparaat binnengaat en de ingang in de stekker niet groter is dan 2 m.</p> <p>^b De kabels met de tussen haakjes aangegeven doorsneden mogen worden gebruikt voor verplaatsbare apparaten, als de lengte ervan niet groter is dan 2 m.</p>			

5. BEHEER

5.1 Opslag

Alle pompen moeten op een overdekte, droge plaats met een liefst constante luchtvochtigheid, trilling- en stofvrij, opgeslagen worden.

Zij worden in hun oorspronkelijke verpakking geleverd, waar ze in moeten blijven tot het moment van installatie. Als dit niet zo zou zijn, ervoor zorgen de aan- en afvoeropeningen zorgvuldig af te sluiten.

5.2 Transport

Vermijden de producten aan onnodig stoten en botsen te onderwerpen.

Om de eenheid op te tillen en te transporteren hefmachines en de (indien voorzien) standaard bijgeleverde pallet gebruiken.

5.3 Gewicht

De sticker op de verpakking geeft het totaalgewicht van de electropomp aan.

6. WAARSCHUWINGEN

6.1 Gespecialiseerd personeel



Het is aan te raden, dat de installatie door bevoegd, gekwalificeerd personeel uitgevoerd wordt, dat over de door de specifieke, betreffende normen verlangde vereisten beschikt.

Onder gekwalificeerd personeel verstaat men de personen, die door hun scholing, ervaring en opleiding alsook hun kennis van de betreffende normen, voorschriften, maatregelen ter voorkoming van ongelukken en over de arbeidsomstandigheden door de veiligheidsverantwoordelijke van de installatie geautoriseerd zijn iedere noodzakelijke handeling uit te voeren en daarbij in staat zijn ieder gevaar te onderkennen en te vermijden. (IEC 364 Definitie voor het technische personeel.)

Het apparaat is niet bedoeld voor gebruik door personen (waaronder kinderen) met beperkte lichamelijke, sensorische en mentale vermogens, of die onvoldoende ervaring of kennis ervan hebben, tenzij zij bij het gebruik van het apparaat onder toezicht staan van of geïnstrueerd worden door iemand die verantwoordelijk is voor hun veiligheid. Kinderen moeten in het oog gehouden worden om erop toe te zien dat ze niet met het apparaat spelen. (EN 60335-1: 02)

6.2 Veiligheid

Het gebruik is alleen toegestaan, als de elektrische installatie gekenmerkt wordt door veiligheidsmaatregelen volgens de in het land van installatie van het product geldende Normen (voor België/Nederland [CEI 64/2]).

6.3 Controle draaiing motoras

Controleer vóór het installeren van de pomp of de bewegende delen vrij kunnen draaien. De ventilatorkap uit de houder van de achterste motorkap verwijderen: met een schroevendraaier inwerken op de inkerving in de motoras aan ventilatiezijde. In geval van blokkering lichtjes met een hamer op de schroevendraaier slaan. (AFB.A)

6.4 Verantwoordelijkheid



De fabrikant is niet verantwoordelijk voor de goede werking van de electropompen of eventueel daardoor veroorzaakte schade, als deze gemanipuleerd of veranderd worden en/of als men deze laat werken buiten het aangeraden werkgebied of in tegenstelling met andere voorschriften, die in deze handleiding staan.

Hij wijst iedere verantwoordelijkheid af voor de mogelijk in deze instructiehandleiding bevatte onjuistheden, indien te wijten aan druk- of kopieerfouten. Hij behoudt zich het recht voor op de producten die veranderingen aan te brengen, die hij nodig of nuttig acht, zonder de essentiële kenmerken ervan in gevaar te brengen

7. INSTALLATIE



De pompen kunnen wat water bevatten dat achtergebleven is na het testen.

Wij adviseren om de pompen kort uit te spoelen met schoon water, alvorens hen definitief te installeren.

- 7.1 De electropomp moet op een goed geventileerde en van onweer beschermde plaats geïnstalleerd worden en met een ruimte van waar de temperatuur niet boven de 40°C gaat. **Afb.B**
- 7.2 Een stevige bevestiging van de pomp op de fundering vergemakkelijkt de absorptie van eventuele trillingen door het functioneren van de pomp veroorzaakt. **Afb.C**
- 7.3 Voorkomen dat de metallische buizen te veel inspanningen op de pompuitmond doorbrengen, om de mogelijkheden van vervormingen en breuken weg te nemen. **Afb.C**
- 7.4 Het is altijd goede regel de pomp zo naast mogelijk bij de op te pompen vloeistof te plaatsen. De pomp moet alleen in horizontale stand geplaatst worden. De diameter van de leidingen mag in geen geval kleiner zijn dan de monden van de elektrische pomp en op het aanzuiggedeelte moet een bodemventiel worden geïnstalleerd. **Afb.D** Voor diepte opzuiging boven de vier meter of met aanzienlijk horizontale trajecten, het is de toepassing van een opzuigingsbuis aan te raden van grotere diameter dan diegene van de pomp opzuigingsmond. Om de vorming van lucht zakken in de opzuigingsbuis te voorkomen, een kleine positieve helling bij de opzuigingsmond naar de electropomp te rekenen. **Afb.D**
- 7.5 Indien de opzuigingsbuis in rubber of buigzaam materiaal is, altijd nagaan dat van een versterkte soort is om inkrimpingen door de opzuiging te voorkomen.
- 7.6 De handgreep voor het heffen en het transport moet altijd aanwezig en goed aan de steun bevestigd zijn bij alle pompen van de draagbare versie.
- 7.7 Bij pompen die bestemd zijn voor gebruik in fonteinen buitenshuis, in tuinvijvers of op soortgelijke plaatsen, moet de pomp gevoed worden door middel van een circuit dat voorzien is van een inrichting met differentieelstroom, waarvan de nominale functionele differentieelstroom niet hoger mag zijn dan 30 mA.

8. ELECTRISCHE AANSLUITING

Let op: altijd de veiligheidsnormen in acht nemen!



Het elektrische schema goed navolgen die aan de binnenkant van de klemendoos is aangegeven

- 8.1 De elektrische installatie dient door een ervaren daartoe bevoegde elektricien uitgevoerd te worden, die daar de volledige verantwoordelijkheid voor op zich neemt.

- 8.2 Zich verzekeren dat de netspanning met datgene overeenkomt die op het motor naamplaatje is aangegeven en dat het mogelijk is **EEN GOEDE AARD VERBINDING TOT STAND TE BRENGEN.**Afb.E, in het bijzonder moet de aardingsklem verbonden zijn met de geel/groene geleider van de voedingskabel. Bovendien moet er een aardingsgeleider worden gebruikt die langer is dan de fasegeleiders, om te voorkomen dat de aardingsgeleider als eerste losraakt als er aan de kabel getrokken wordt.
- 8.3 In de vaste installaties voorzien de Internationale Normen het gebruik van doorkiesknopen met een zekeringshouder basis.
- 8.4 De monofase motoren zijn van een ingebouwde amperometrische bescherming voorzien aan het net direct verbonden. De driefasemotoren moeten worden beveiligd met een automatische schakelaar (b.v. magnetothermische schakelaar) die is afgesteld volgens de nominale gegevens van de elektropomp, of met zekeringen overeenkomstig de dimensionering die vermeld wordt in hoofdstuk 4.

9. OPSTARTEN

9.1



De pomp niet starten zonder deze helemaal met vloeistof gevuld te hebben.

Voor het starten nagaan dat de pomp op de juiste manier is uitgerust, voorzien aan zijn volledige vulling met schone water, bij de bijpassende gaatje, na de vullingdop te hebben verwijderd die op het pompgedeelte geplaatst is. Deze handeling is van groot belang voor een perfecte pomp functionering, onmisbaar om de mechanische houding gesmeerd te houden.(afb.F) Een droge functionering brengt onherstelbare schade aan de mechanische houding.De oplaaddop zal daarna zorgzaam weer aangedraaid moeten worden.

- 9.2 Spanning toevoeren en, voor de driefase versie, de juiste draairichting, dat, wanneer men aan de ventiel kant kijkt met richting van de klok mee moet gaan. **Afb.G.** Anders twee willekeurige fasesgeleiders door elkaar andersom doen,na de elektropomp uit de spanning te hebben gedaan.

10. VOORZORGSMAATREGELEN

- 10.1 De elektropomp moet nooit met meer dan 20 starten per uur belast worden om de motor niet met teveel thermische aansporingen te belasten.
- 10.2 **VRIES GEVAAR** : wanneer de pomp voor een lange tijd in onbruik blijft op een temperatuur lager dan 0°C, is het noodzakelijk het pompgedeelte volledig te ledigen door de ledigingsdop **Afb.H**, om eventuele barsten van de idraulische componenten te voorkomen. Deze handeling is ook aan te raden in geval van onbruik op normale temperatuur.
- 10.3 Het weer in werking stellen na een lange onbruiktijd, vereist het herhalen van de bovengenoemde handelingen.

11. ONDERHOUD EN REINIGING



Met een normale functionering vereist de elektropomp geen bijzonder onderhoud. Het kan toch nodig zijn de idraulische delen schoon te maken wanneer er sprake is van een vermindering van prestatie .**De elektropomp kan alleen door gekwalificeerd personeel uit elkaar gehaald worden die in bezit zijn van vereiste eisen door de specifieke normen aangegeven.**

In ieder geval moeten al de reparaties en onderhouds ingrepen plaats vinden alleen na dat de pomp uit het voedingsnet is gekoppeld.

12. VERANDERINGEN EN RESERVE-ONDERDELEN



Iedere van tevoren niet toegestane wijziging, haalt het constructie bedrijf van iedere verantwoordelijkheid af. Alle bij een reparatie gebruikte onderdelen, moeten origineel en door de constructeur toegestaan zijn, zodat de maximale veiligheid van de machines en van de installaties op wie deze worden geplaatst gegarandeerd kan worden.



Als de voedingskabel van dit apparaat beschadigd is, dient de reparatie te worden uitgevoerd door gespecialiseerd personeel, om alle risico's te vermijden.

12.1 VERPLAATSING EN WISSELING VOEDINGSKABEL

Voor het doorgaan moet men zich verzekeren dat de elektropomp niet met het voedingsnet is aangesloten.

A) Voor de versie zonder drukker

De klemdekker verplaatsen door zijn vier bouten los te maken. De drie klemmetjes L - N - \oplus los draaien en zo ook de bruine draad losrijgen, de blauwe en de gele-groene draad, uit de voedingskabel, na de drukker los te hebben gemaakt.

B) Versie met drukker type SQUARE D

- **kabelstuk met drukker stekker** : de bout van de drukkerdekker los maken met behulp van een schroevendraaier en de deksel weghalen. De gele-groene draad wegrijgen door het losdraaien van de aard Schroef, de blauwe en bruine draad van hun zijklemmetjes door zijn bouten los te maken. Het kabelhouder klemmetje losdraaien met het losdraaien van zijn bouten en de losverbonden kabel wegrijgen.
- **kabel stuk van drukker tot klemmetjes**: de dekselbout van de drukker losdraaien met behulp van een schroevendraaier en de deksel verwijderen. De gele-groene draad wegrijgen door het losdraaien van de aard Schroef, dan de blauwe en de bruine draad uit de bijpassende centrale klemmetjes met het losdraaien van zijn bouten. De kabelhouder klemmetjes verplaatsen door het losdraaien van de bijpassende bouten en de losse kabel wegrijgen. De klemdeksel verplaatsen met het losdraaien van zijn vier bouten. De drie klemmetjes L - N - \oplus losdraaien en de bruine, blauwe en gele-groene draad, uit de drukker, wegrijgen, na de drukker los te hebben gemaakt.

C) Versie met drukker soort:

TELEMECANIQUE / SQUARE D – TELEMECANIQUE / ITALTECNICA

- **kabelstuk met drukkerstekker**: de drukker boutdeksel losmaken met behulp van een schroevendraaier en de deksel verplaatsen door het losshaken van de drukker basis. De gele-groene draad wegrijgen door de aan de linker zijde geplaatste aard klemmetje los te schroeven. Wegrijgen, aan dezelfde kant, de blauwe en bruine draad van hun bijpassende klemmetjes, door de op deze geplaatste bouten, los te maken. De drukkerkabel bout op de linker zijde losmaken en de zo losverbonden kabel wegrijgen.
- **kabelstuk van drukker tot klemmetjes**: de bout van de dekseldrukker met behulp van een schroevendraaier losmaken en de deksel losshaken uit de drukkerbasis. De gele-groene draad losrijgen door het aardklemmetje aan de rechter zijde los te maken. Los rijgen, altijd op dezelfde kant, de blauwe en de bruine draad uit de bijpassende klemmetjes, door het losdraaien van de op deze geplaatste bouten los te maken. De bout van de drukkerkabel van de drukker losmaken op de rechter zijde en de losverbonden kabel wegrijgen. Verplaatsen de klemmetjesdekker, zijn vier bouten losdraaien. De drie klemmetjes L - N - \oplus losdraaien en de drie draden, bruin, blauw en geel-groen, uit de drukker afkomstige, losrijgen, na de kabeldrukker los te hebben gemaakt.

Het verwisselen van de voedingskabel moet door middel van een kabel van hetzelfde type gebeuren (vb.H05 RN-F of H07 RN-F volgens installatie) en met hetzelfde uiteinde, volgens de omgekeerde werkvolgorde voor de demontage.

OPLETTEN: aan de hand van de installatie en in geval van pompen zonder kabel, voedings kabel voorbereiden H05 RN-F type voor binnen gebruik en H07 RN-F type voor buiten gebruik, compleet met stekker (EN 60335-2-41). Voor voedingskabels zonder stekker moet een afkoppelinrichting van het voedingsnet worden voorzien (bijvoorbeeld een magnetothermische schakelaar) met scheiding tussen de contacten van minstens 3 mm per pool.

13. STORINGZOEKEN EN OPLOSSINGEN

ONGEMAKKEN	ONDERZOEKEN (mogelijke oorzaak)	OPLOSSINGEN
1. De motor start niet en maakt geen lawaai .	A. Elektrische aansluitingen nagaan. B. Nagaan dat de motor onder druk staat. C. De beschermings zekeringen.	C. Indien verbrandt vervangen. N.B.: het heventueel zich direkt herhalen van het mancament kan betekenen dat de motor in kortsluiting staat.
2. De motor start niet maar doet lawaai.	A. Zich verzekeren dat de netspanning overeenkomt met datgene wat er op het naamplaatje staat. B. Nagaan dat de aansluitingen goed zijn. C. Op de klemmen nagaan de aanwezigheid van alle fases (3 ~). D. Onderzoek naar mogeliike verstoppingen van de motor of van de pomp. E. Nagaan de toestand van de condensator.	B. Eventuele fouten corregeren. C. Anders de afwezige fase herstellen. D. Verstoppingen verwijderen. E. De condensator vervang.
3. De motor draait moeilijk.	A. Zich verzen dat er geen onvoldoende voedings spanning is. B. Nagaan mogelijke wrijvingen tussen de bewegende en vaste delen.	B. Zorgen om de wrijfinges oorzaken op te sporen.
4. De pomp werkt.	A. De pomp is niet correct aangesloten. B. De correcte draairichting in de driefase motoren nagaan. C. Onvoldoende diameter van de opzuigingsbuis. D. Verstopte bodemklep.	A. De pomp met water vullen en de opzuigingsbuis, indien niet zelfvissend, dan met de opzuiging doorgaan. B. Onderling twee voedings draden verwisselen. C. Buis vervangen met een van grotere diameter. D. Deze schoonmaken.
5. De pomp vist niet.	A. De opzuigingbuis of de bodemklep zuigen luht. B. De negatieve helling van de opzuiginggsbuis vergemakkelijkt de vorming van luchtzakken.	A. Het ongemak verwijderen en de handeling herhalen. B. De helling van de buis herstellen.
6. De pomp voert een onvoldoende druk uit.	A. De voetklep is verstopt. B. De draaier is versleten of verstopt. C. Opzuigingbuis met onvoldoende diameter. D. De correcte draairichting nagaan in de driefase motoren.	A. Deze schoonmaken. B. De verstoppingen verwijderen of de versleten delen vervangen. C. De buis vervangen met een van grotere diameter. D. Onderling twee voedingsdraden verwisselen.
7. De pomp trilt met een rumoerige geluid.	A. Nagaan dat de pomp en de buizen goedzijn aangesloten. B. De pomp heeft een holte d.w.z. er is meer watwr nodig dan opgepompd kan worden. C. De pomp werkt meer dan wat aangegeven staat.	A. Met meer zorg de losgekomaken delen vastmaken. B. De opzuiginngs hoogte beperken of drukbelasting controleren. C. Kan nuttig zijn de belasting te beperken.

DAB PUMPS LTD.

Units 4 & 5, Stortford Hall Industrial Park,
Dunmow Road, Bishop's Stortford, Herts
CM23 5GZ - UK
salesuk@dwtgroup.com
Tel.: +44 1279 652 776
Fax: +44 1279 657 727

DAB PUMPS B.V.

Albert Einsteinweg, 4
5151 DL Drunen - Nederland
info.netherlands@dwtgroup.com
Tel.: +31 416 387280
Fax: +31 416 387299

DAB PUMPS B.V.

Brusselstraat 150
B-1702 Groot-Bijgaarden - Belgium
info.belgium@dwtgroup.com
Tel.: +32 2 4668353
Fax: +32 2 4669218

**DAB PUMPEN DEUTSCHLAND
GmbH**

Tackweg 11
D - 47918 Tönisvorst - Germany
info.germany@dwtgroup.com
Tel.: +49 2151 82136-0
Fax: +49 2151 82136-36

**PUMPS AMERICA, INC. DAB PUMPS
DIVISION**

3226 Benchmark Drive
Ladson, SC 29456 USA
info.usa@dwtgroup.com
Ph. : 1-843-824-6332
Toll Free: 1-866-896-4DAB (4322)
Fax : 1-843-797-3366

DAB PUMPS IBERICA S.L.

Parque Empresarial San Fernando
Edificio Italia Planta 1ª
28830 - San Fernando De Henares - Madrid
Spain
info.spain@dwtgroup.com
Ph.: +34 91 6569545
Fax: +34 91 6569676

OOO DWT GROUP

100 bldg. 3 Dmitrovskoe highway,
127247 Moscow - Russia
info.russia@dwtgroup.com
Tel.: +7 495 739 52 50
Fax: +7 495 485-3618

DAB PUMPS CHINA

No.40 Kaituo Road, Qingdao Economic &
Technological Development Zone
Qingdao City, Shandong Province, China
PC: 266500
info.china@dwtgroup.com
Tel.: +8653286812030-6270
Fax: +8653286812210

DWT South Africa

Podium at Menlyn, 3rd Floor, Unit 3001b,
43 Ingersol Road, C/O Lois and Atterbury,
Menlyn, Pretoria, 0181 P.O.Box 74531,
Lynnwood Ridge, Pretoria, 0040, South-Africa
info.sa@dwtgroup.com
Tel +27 12 361 3997
Fax +27 12 361 3137

**DAB PUMPS S.p.A.**

Via M. Polo, 14 - 35035 Mestrino (PD) - Italy
Tel. +39 049 5125000 - Fax +39 049 5125950
www.dabpumps.com